

Hustler Sport CE Parts Manual



HUSTLER®



Hustler Turf Equipment



P.O. Box 7000



Hesston, Kansas



67062-2097

Table of Contents

Section 1	
General Information	1-1
Section 2 Contents	
Frame CE	2-2
Guarding CE	2-4
Section 3 Contents	
Hydraulic System	3-2
Steering	3-6
Steering Sub-Assembly	3-8
Park Brake	3-10
Section 4 Contents	
Wheel & Tire—42/48" Decks	4-2
Wheel & Tire Breakdown—42/48" Decks	4-4
Section 5 Contents	
Engine, Kohler SV590	5-2
Engine, Kohler SV715	5-4
Fuel System	5-6
Section 6 Contents	
Instrument Panel, Kohler CE	6-2
Battery	6-4
Section 7 Contents	
42" Deck Decals—Forward Swept	7-2
Deck Decals—Rear Swept	7-4
48" Deck Decals	7-6
42" Deck Pulleys and Spindles—Forward Swept	7-8
Deck Pulleys and Spindles	7-10
48" Deck Pulleys and Spindles	7-12
42" CE Deck	7-14
42" CE Deck Belt Routing & Tensioning	7-16
42" CE Deck—Rear Swept	7-18
42" CE Deck—Rear Swept Belt Routing & Tensioning	7-20
48" CE Deck	7-22
48" CE Deck Belt Routing & Tensioning	7-24
Deck Lift	7-26
Deck Mounting Hardware	7-28
Section 8 Contents	
Seat	8-2
Index	i-1

Section 1

General Information

This Manual covers Hustler Sport models **929570CE & 929588CE**.

Frequently Ordered Parts

PART NO.	DESCRIPTION	PART NO.	DESCRIPTION
769133	Pump Drive Belt		
600726	Deck Belt 42"	771634	Deck Belt 48"
601123	Blade, 16.50"-L-F-CW	793794	Blade, 20.50"-L-F-CW
602583	Air Filter, Koh SV715	794370	Air Filter, Koh SV590
747303	Oil Filter, Kohler	068478	Fuel Filter In-Line, Kohler

Service Literature

PART NO.	DESCRIPTION
111176	Hustler Sport Owner's Manual
794479CE	Kohler Engine Manual CE

Note: When ordering parts, you must use the part number as shown for each part, not the item number. Always give the model and serial number to your parts and service representative.

Note: Items sold in bulk such as seals and hoses are sold by the foot.

Using this manual

Illustrations used were current at the time of printing, but subsequent production changes may cause your machine to vary slightly in detail. Excel Industries, Inc. reserves the right to redesign and change the machine as deemed necessary, without notification. If a change has been made to your machine which is not reflected in this parts manual, see your Hustler dealer for current information and parts.

Hardware Description Codes & Abbreviations

The following codes are used throughout this parts manual. Refer to this list when ordering parts.

ABBREVIATION	DESCRIPTION	ABBREVIATION	DESCRIPTION
CB	Carriage Bolt	MB	Machine Bushing
CE	Clevis Pin	MS	Machine Screw
CP	Cotter Pin	NT	Nut
CN	Clip Nut	SC	Self Tapping Cap Screw
CS	Cap Screw	SH	Socket Head
CW	Cup Washer	SB	Shoulder Bolt
FDRW	Fender Washer	SS	Set Screw
FW	Flat Washer	OD	Outside Diameter
HX	Hex Head	ID	Inside Diameter
LW	Lock Washer		

Standard Torques

The following chart lists the standard torque values for the threaded fasteners found in this manual. Torque all cap screws, nuts and set screws to these values unless a different torque is shown in the Notes section next to the fastener

SIZE	FT-LBS	NM	SIZE	FT-LBS	NM
.250	8.2	11.1	M3	1	1.3
.312	17	23	M4	2.2	3
.375	30	40	M5	4.5	6.1
.438	48	65	M6	7.7	10.4
.500	73	99	M8	18.5	25
.562	105	143	M10	37	50
.625	145	200	M12	64	87
.750	260	350	M16	160	215
.875	420	565	M20	320	435
1.00	625	850	M24	555	750

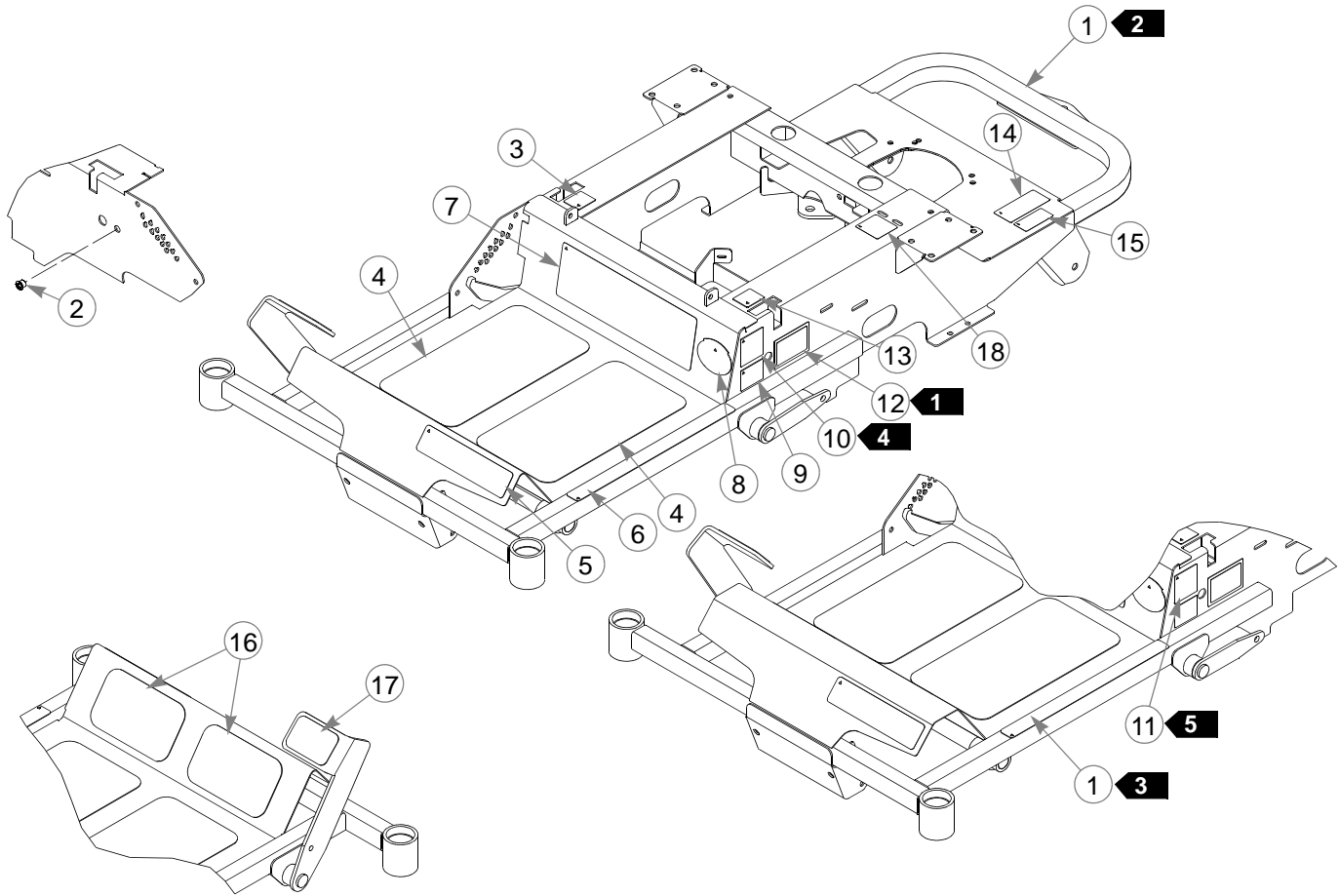
NOTE:

**Loctite 592 to be used on all pipe threads.
Lubricate all grease zerks.**

Section 2 Contents

Frame CE	2-2
Guarding CE	2-4

Frame CE



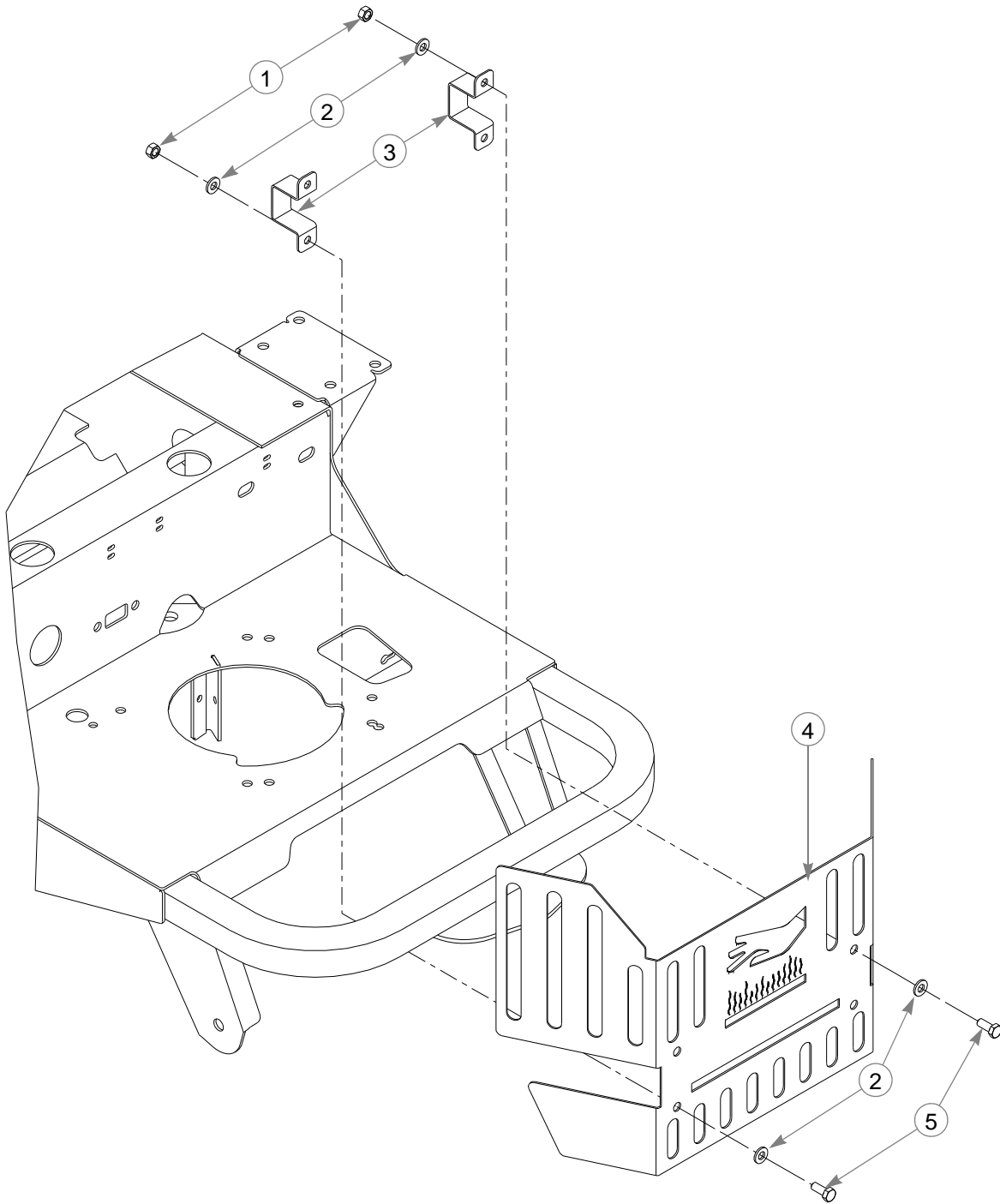
Frame CE

INDEX NO.	PART NO.	QTY.	DESCRIPTION
1	N/A	1	FRAME, SPORT
	N/A	1	FRAME, SPORT
2	808485	1	RIVET NUT, 5/16-18 THREAD
3	785220	1	STEERING DECAL
4	601986	2	STEP TREAD, LOWER SPORT
5	601813	1	HUSTLER DECAL FRONT
6	601981	1	SAFE OPERATION DECAL
7	601812	1	SPORT ID DECAL
8	782573	1	FIRST ZERO TURN DECAL
9	776310		CE MARK DECAL
10	789776CE	1	CE 105 DBA LIMIT DECAL (USED ON 48" FRAME)
11	794834CE	1	CE 100 DBA LIMIT DECAL (USED ON 42" FRAME)
12	N/A	1	SERIAL NO PLATE TURF
13	785139	1	STEERING DECAL
14	601967	1	ENGINE COMPART DECAL
15	602041	1	HOT DECAL
16	110063	2	GRIP TAPE
17	601987	1	STEP TREAD, FOOT LIFT
18	602562	1	NO SERVICE DECAL

NOTES:

1. In the event the serial number tag becomes damaged or illegible, please contact your Hustler dealer to order a replacement.
2. Illustration shows frame used on 929588CE.
3. Illustration shows frame used on 929570CE.
4. Part number 789776CE is used on 929588CE.
5. Part number 794834CE is used on 929570CE.

Guarding CE



Guarding CE

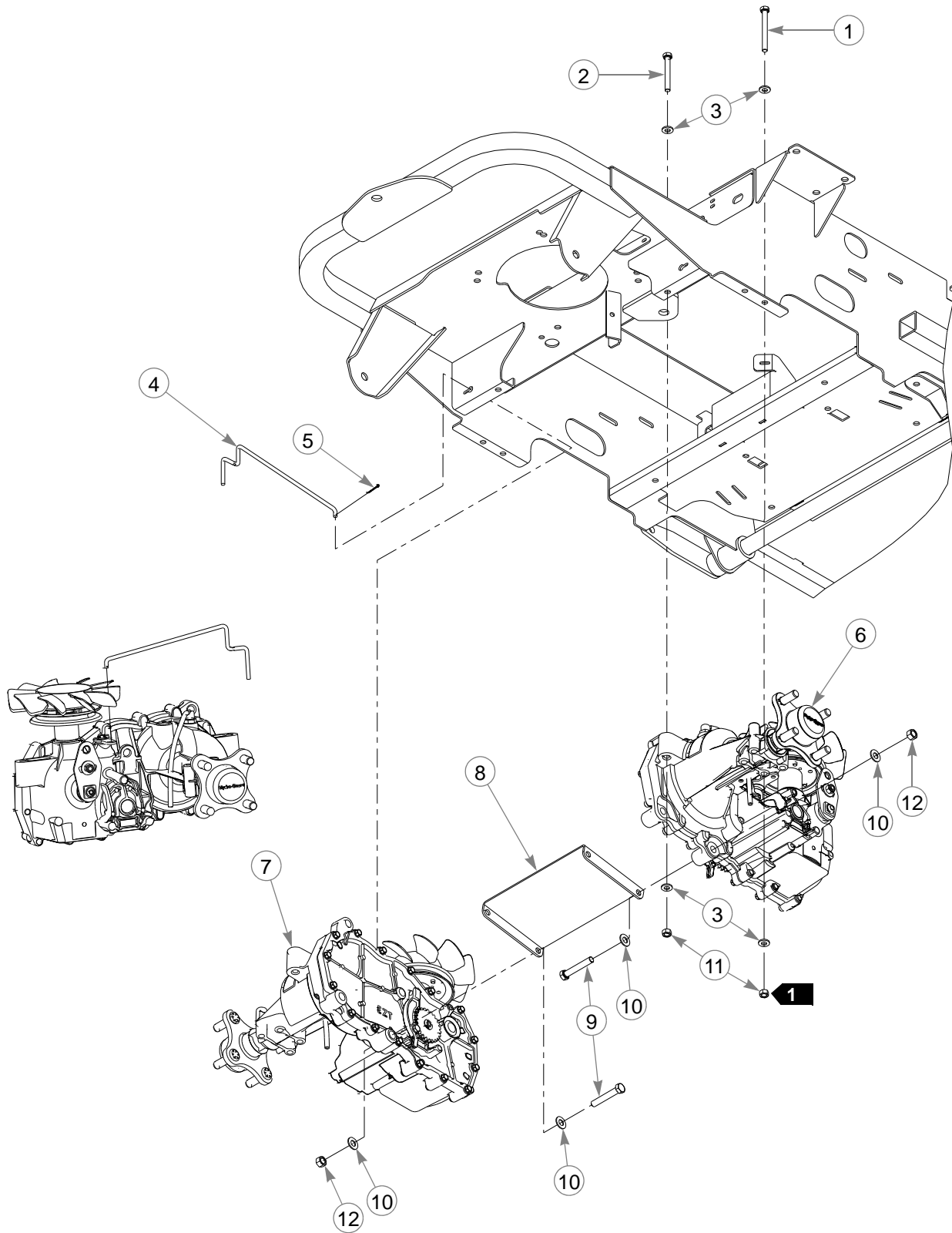
INDEX NO.	PART NO.	QTY.	DESCRIPTION
1	034272	4	NT .312-18 HX G5 ZNYC
2	768523	8	FW .343X.687X.051/.080H
3	111892	2	MUFFLER GUARD STRAP
4	111643	1	MUFFLER GUARD, CE
5	034280	4	CS .312-18X .750 HX G5

NOTES:

Section 3 Contents

Hydraulic System	3-2
Steering	3-6
Steering Sub-Assembly	3-8
Park Brake	3-10

Hydraulic System



Hydraulic System

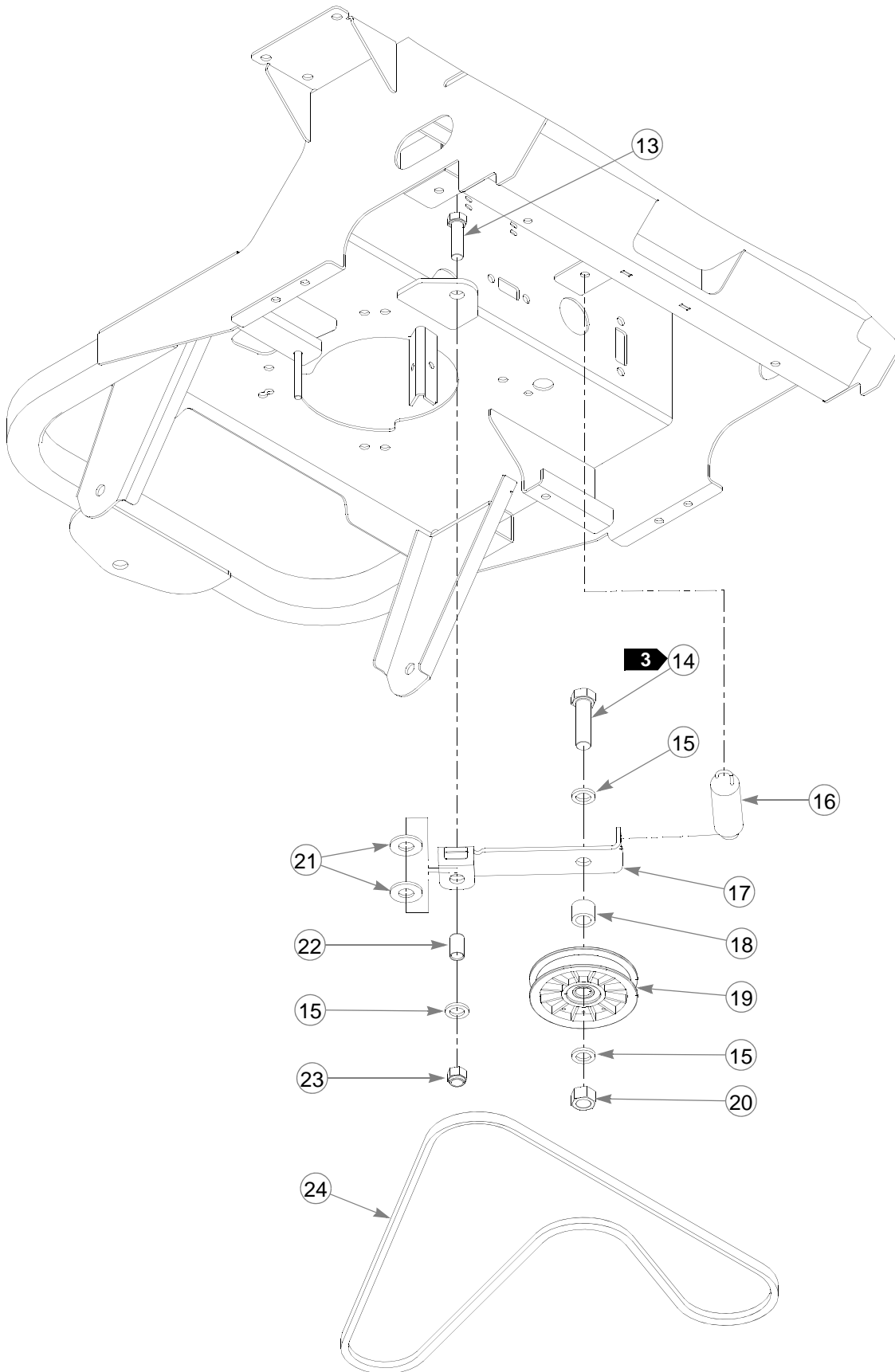
INDEX NO.	PART NO.	QTY.	DESCRIPTION
1	043067	4	CS .312-18X3.00 HX G5 Z
2	710087	4	CS .312-18X2.500 HX G5
3	768523	16	FW .343X.687X.051/.080H
4	793174	2	TOWLINK ROD
5	048553	2	CP .062DX1.000 LG HML Z
6	601391	2	EZT, 19.2 RIGHT TRANSMISSION
7	601390	1	EZT, 19.2 LEFT TRANSMISSION
8	110042	1	HYDROSTAT CROSS BRACE
9	056036	4	CS .375-16X2.250 HX G5 ZN
10	767954	8	FW .406 X .812 X .060 SAE HRD ZN
11	034272	8	NT .312-18 HX G5 ZN
12	054502	4	NT .375-16 HX G5 ZN

NOTES:

1. Torque to 23 N-m.
2. Service parts available for the transaxles:

PART NUMBER	DESCRIPTION	PART NUMBER	DESCRIPTION
788877	IZT, HUB NUT	798371	RING, RETAINING
788232	IZT, HUB ASSEMBLY (PKG OF 2)	601941	FAN/PULLEY KIT
798363	GEAR, PARK BRAKE	795047	PARKING PAWL KIT, EZT

Hydraulic System



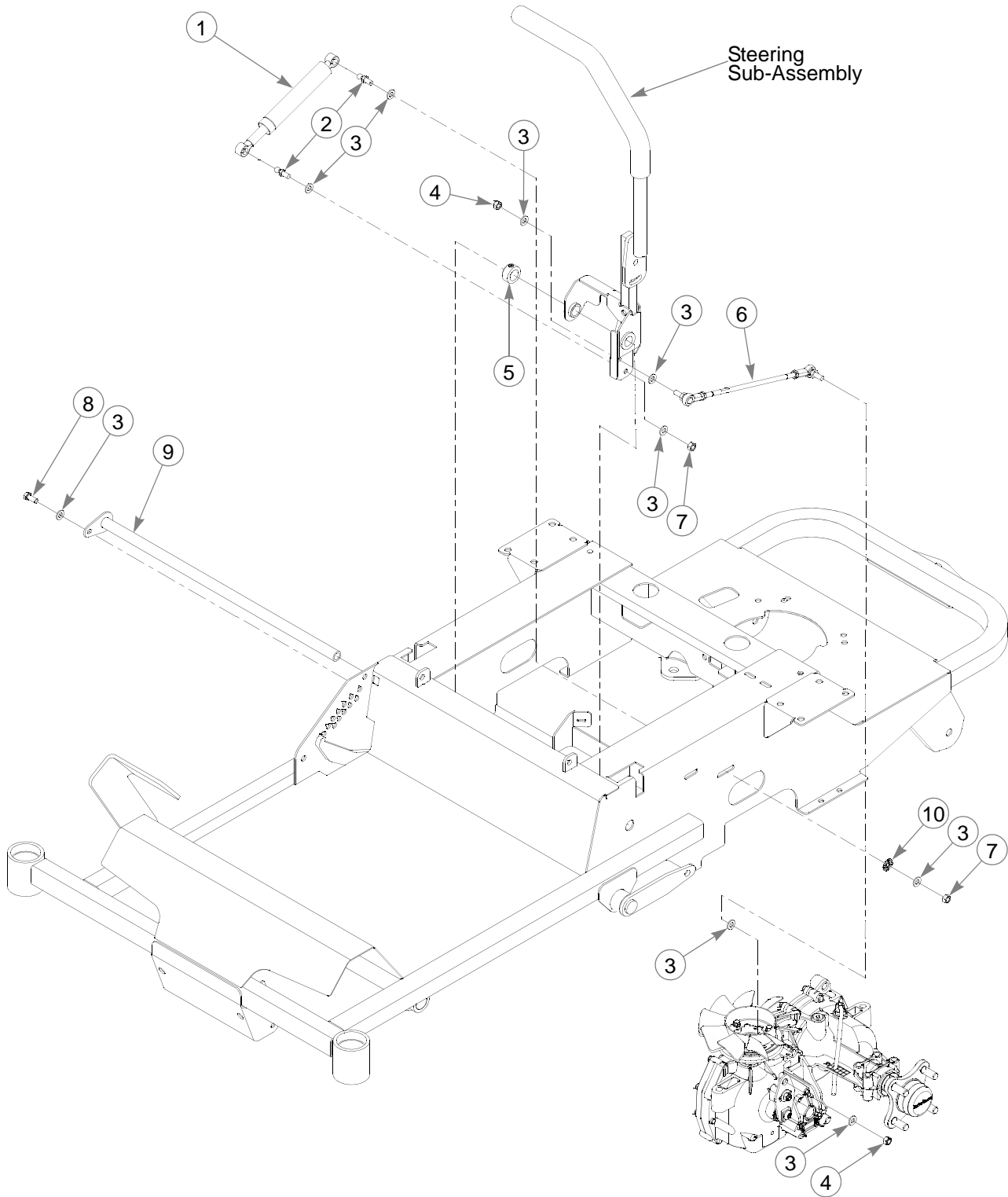
Hydraulic System

INDEX NO.	PART NO.	QTY.	DESCRIPTION
13	017616	1	CS .500-13X1.75 HX GR5 ZN
14	601983	1	CS .625-11 X 2.25 HX G5 ZY
15	028118	3	FW .625X1.00X.134 ZNYC
16	036384	1	SPRING 1/4 COIL PL 1.23
17	111079	1	PUMP IDLER, FORMED
18	601398	1	SPACER, PUMP IDLER
19	784827	1	IDLER PULLEY, 4.00"OD
20	016972	1	NT .625-11 HX G5 ZNYC
21	602026	2	BEARING DISC
22	602025	1	BUSHING, IGUS .500 I.D.
23	781567	1	NT .500-13 HX G8 ZY NL
24	769133	1	BELT, A 66.378" EL

NOTES:

3. Torque to 200 N-m.

Steering



Steering

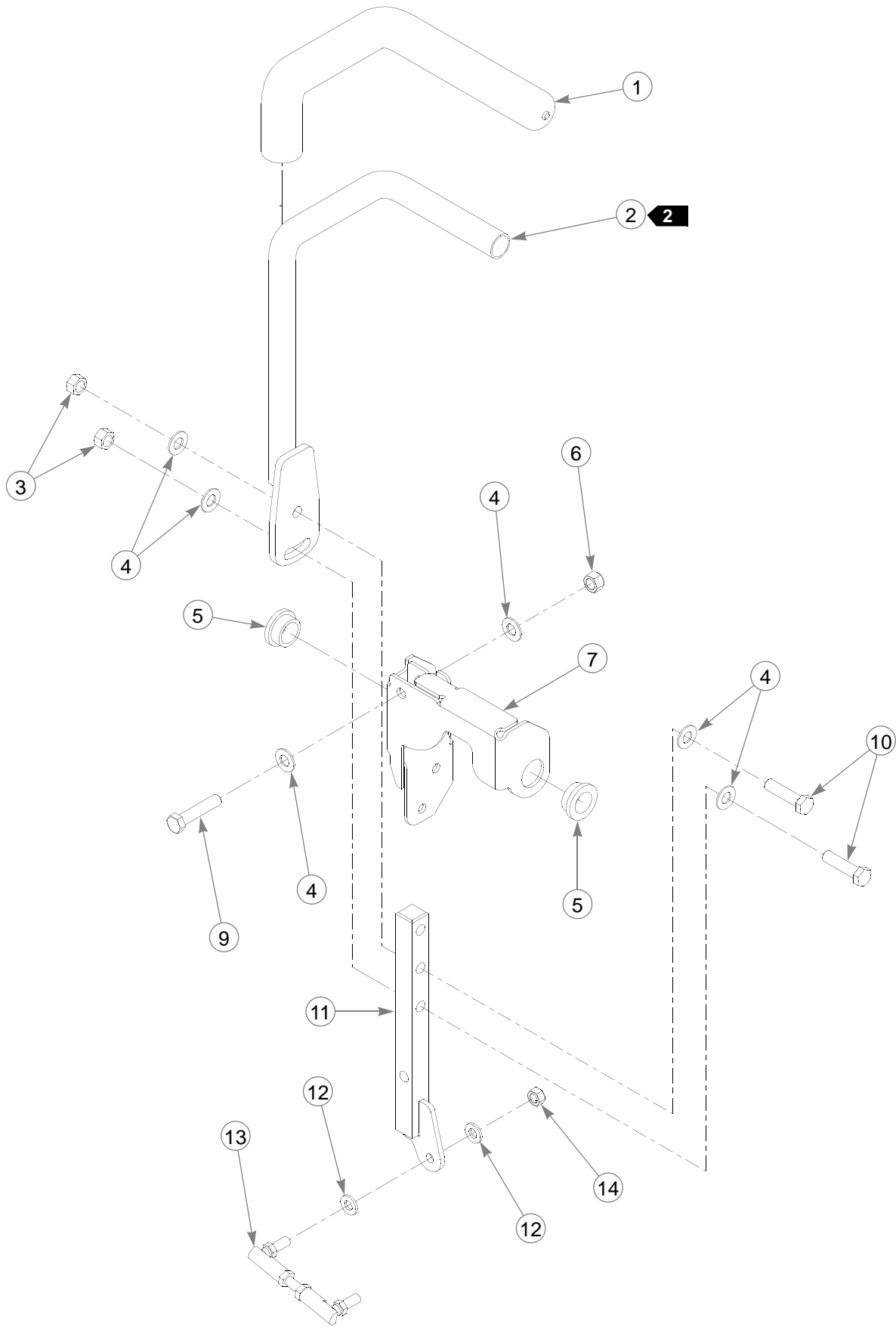
INDEX NO.	PART NO.	QTY.	DESCRIPTION
1	600221	2	STEERING DAMPER
2	781922	4	BALL STUD, DAMPER
3	768523	17	FW .343X.687X.051/.080H
4	023655	4	NT .312-24 HXZY NL
5	784439	2	LOCK COLLAR,0.757 ID
6	600981	2	PUMP ROD ASSEMBLY
7	034272	4	NT .312-18 HX G5 ZNYC
8	034280	1	CS .312-18X .750 HX G5
9	110014	1	PIVOT TUBE ASSEMBLY
10	029876	2	LW .312 INT-EXT TOOTH Z

NOTES:

1. Service parts for Damper:

PART NUMBER	DESCRIPTION
601425	CONNECTOR BODY
601426	CAP LOCK

Steering Sub-Assembly



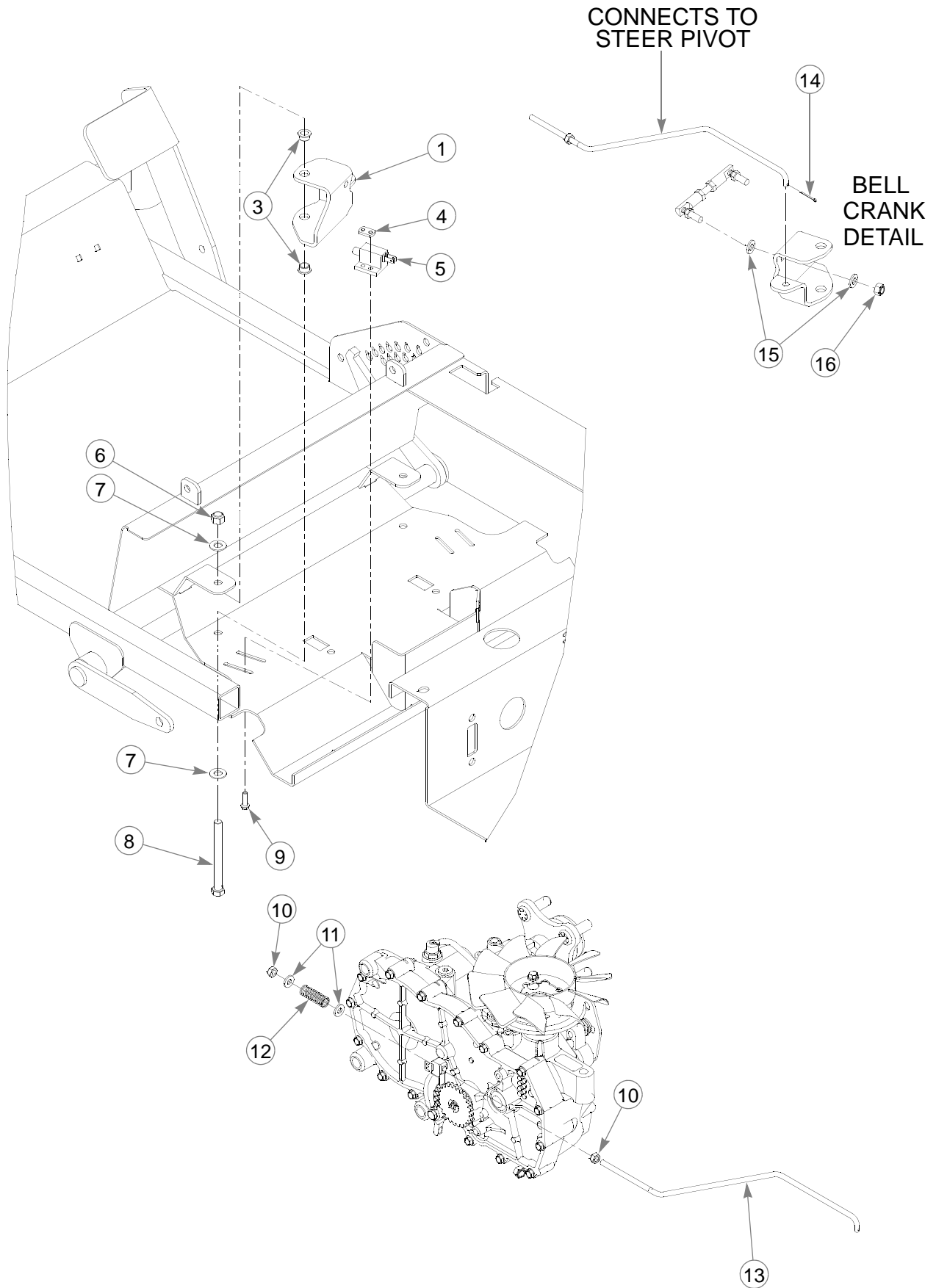
Steering Sub-Assembly

INDEX NO.	PART NO.	QTY.	DESCRIPTION
1	781260	2	GRIP, STEERING BAR
2	110370	2	STEERING BAR
3	054502	4	NT .375-16 HX GRD 5 ZNY
4	767954	12	FW .406X .812 X.060 SAE
5	770867	4	BUSHING, PLAS .750X1(FS)
6	086660	2	NT .375-16 HXZY NL
7	110008	1	STEERING BOX LH
8	110007	1	STEERING BOX RH (NOT SHOWN)
9	705178	2	CS .375-16X1.750 HX G5
10	080655	4	CS .375-16X1.500 HX G5
11	110089	2	CONTROL LEVER
12	768523	4	FW .343X.687X.051/.080H
13	796615	2	BALL JOINT LINK
14	023655	2	NT .312-24 HXZY NL

NOTES:

1. Left side steering sub-assembly is shown; the right side is similar.
2. Item 2 (Steering Bar) includes Item 1 (Steering Bar Grip).

Park Brake



Park Brake

INDEX NO.	PART NO.	QTY.	DESCRIPTION
1	110001	1	BRAKE ACTUATOR LH
2	110000	1	BRAKE ACUTATOR RH (NOT SHOWN)
3	765339	4	BUSHING,IGUS#0608 (FS)
4	601822	2	NUT PLATE, .420 CENTERS
5	781211	2	SWITCH, PUSH BUTTON(FS)
6	086660	2	NT .375-16 HXZY NL
7	767954	4	FW .406X .812 X.060 SAE
8	725796	2	CS .375-16X4.00 HX G8 Z
9	063198	4	CS 10-24X .750 HXFLK ZN
10	068551	4	NT .250-20 HXZY NL
11	768515	4	FW .281X.625X.051/.080H
12	601131	2	SPRING, BRAKE ARM RET.
13	110009	2	BRAKE ACTUATOR ROD
14	048553	2	CP .062DX1.000 LG HML Z
15	768523	8	FW .343X.687X.051/.080H
16	023655	2	NT .312-24 HXZY NL

NOTES:

PARK BRAKE SPRING ADJUSTMENT

NOTE: Occasionally check the park brake spring adjustment using the following method:

1. Shut engine off, place control levers in the park brake position, disengage deck clutch, remove ignition switch key and disconnect negative battery cable before doing any adjustments.
2. Position the control lever in the park brake position.
3. Measure the park brake spring. It should be compressed to 1.00". If it is not, adjust the nylock nut until the proper spring compression is achieved (FIG. 1).

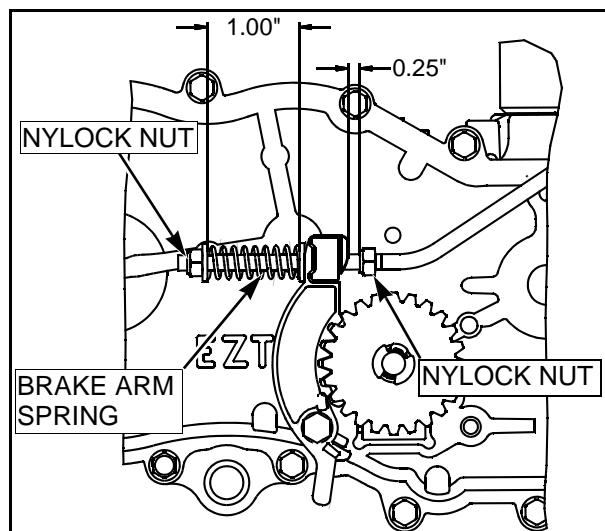


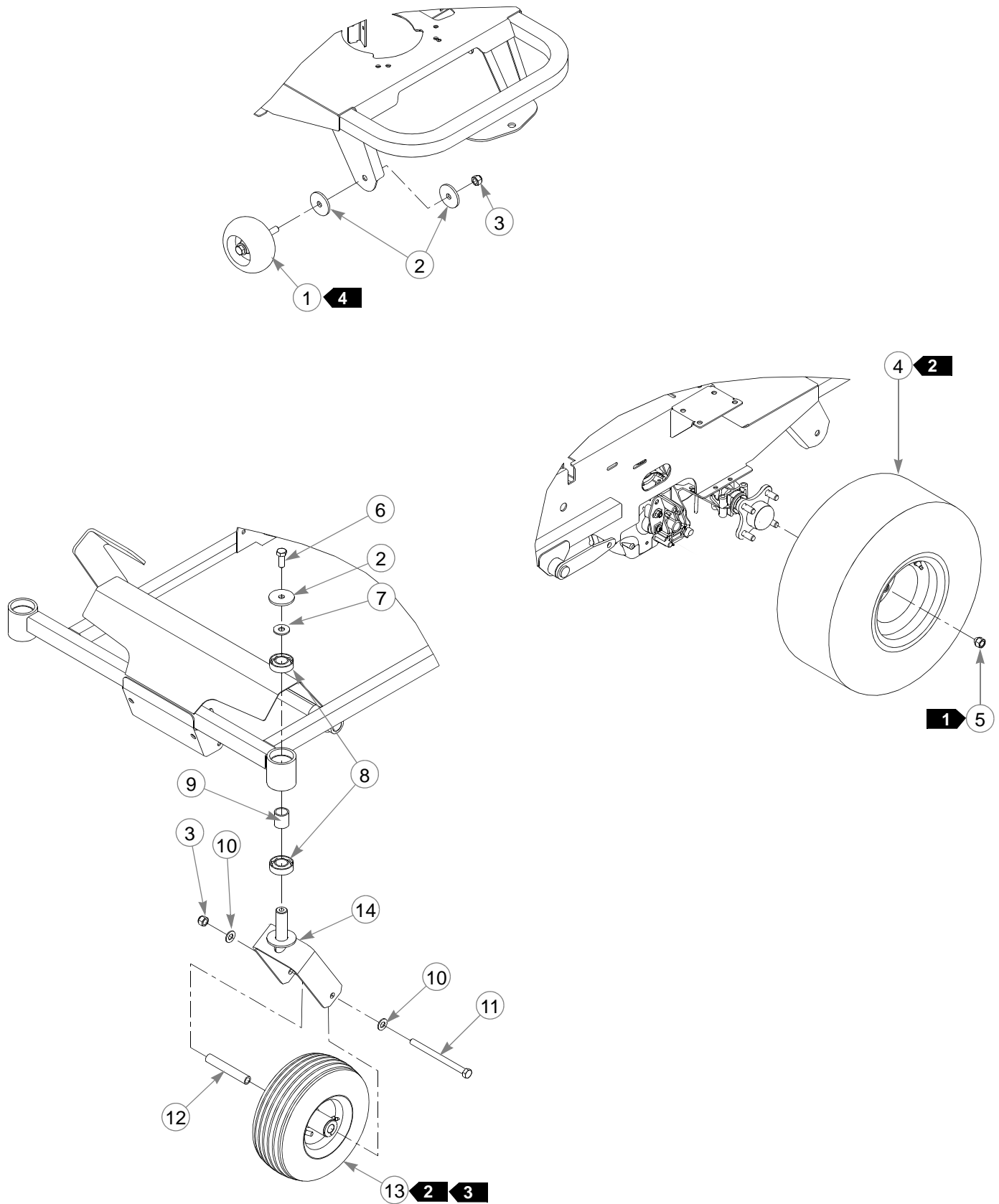
FIG. 1

4. Repeat for the other side.

Section 4 Contents

Wheel & Tire—42/48" Decks	4-2
Wheel & Tire Breakdown—42/48" Decks	4-4

Wheel & Tire—42/48" Decks



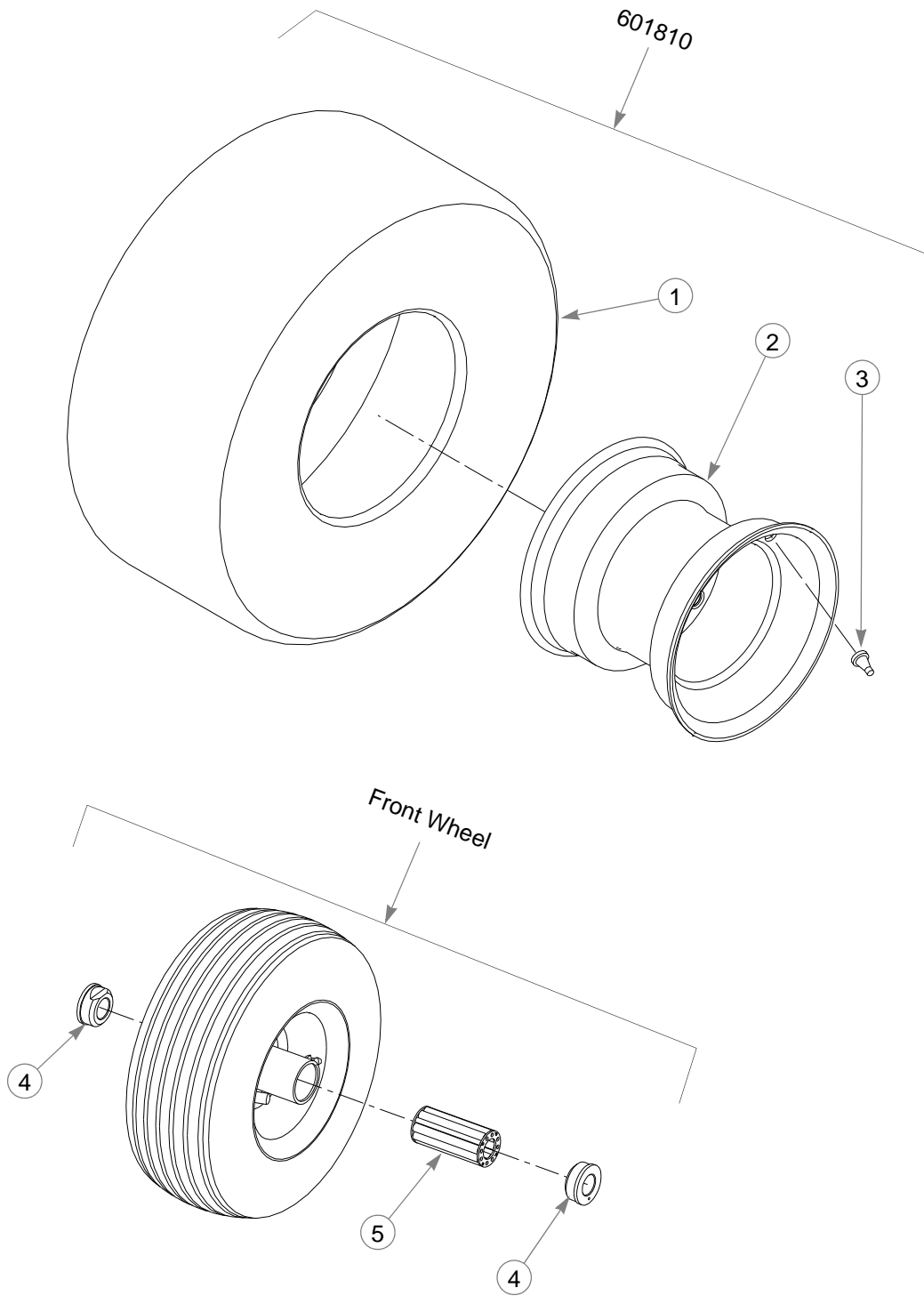
Wheel & Tire—42/48" Decks

INDEX NO.	PART NO.	QTY.	DESCRIPTION
1	788166	2	ANTI-SCALP WHEEL ASSEMBLY
2	344267	6	FW .510X 2.15X.187 SPL
3	781567	4	NT .500-13 HX G8 ZY NL
4	601810	2	TIRE/WHEEL 18X8.5-8
5	061077	8	WHEEL NUT
6	705954	2	CS .500-13X1.25 HX G5 Z
7	712976	2	FW .531X 1.375X.125 ZNY
8	784223	4	BEARING
9	784603	2	SPACER
10	767962	8	FW .531X 1.063X.090 SAE
11	042630	2	CS .500-13X6.50 HX G5 Z
12	306969	2	GAGE WHEEL SPACER
5	13	2	TIRE/WHL 11X4-5 RIBBED
	768044	2	TIRE/WHL 11X4-5 RIBBED
5	14	2	CASTER FORK
	339689	2	CASTER FORK
15	781708	2	CS .500-13X4.250 HX G5
16	031997	2	ANTI-SCALP WHEEL
17	053199	2	NT .500-13 HX JAM ZNYC

NOTES:

1. Torque to 88-102 Nm.
2. Inflate tire to 55-83 kPa.
3. Apply grease to zerks (see owners manual).
4. Item 1 includes (items 10 & 15–17).
5. Serial numbers higher than 09080553, use tire/wheel (602079) and caster fork (110116). Serial numbers prior to 09080553, use tire/wheel (768044) and caster fork (339689).

Wheel & Tire Breakdown—42/48" Decks



Wheel & Tire Breakdown—42/48" Decks

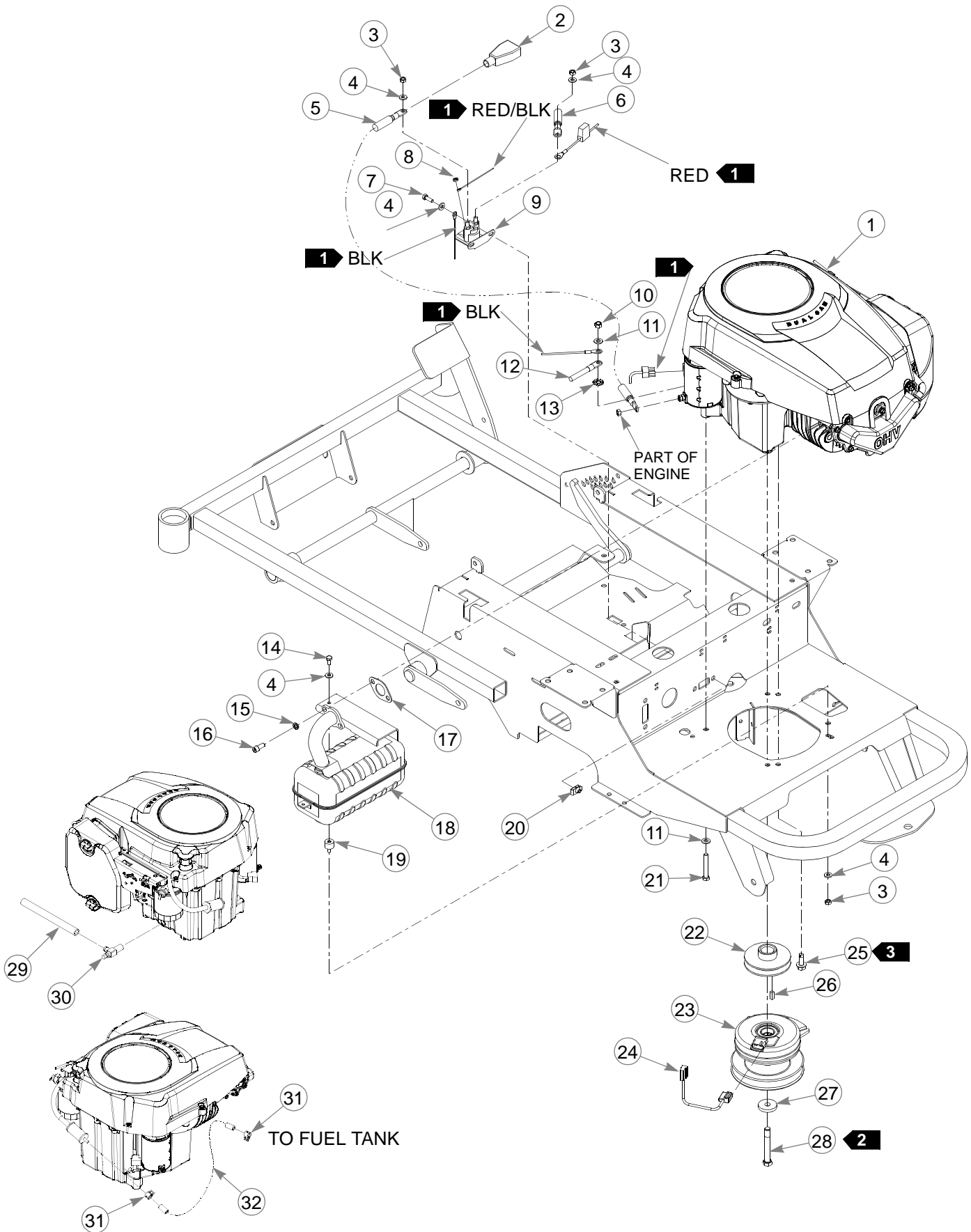
INDEX NO.	PART NO.	QTY.	DESCRIPTION
1	601821	1	TIRE 18 X 8.5 - SPORT
2	601820	1	WHEEL 8 X 6.93 - SPORT
3	019521	1	TIRE VALVE TR-412 GOODY
4	772806	2	BEARING CAPS
5	772814	1	BEARING, 3/4" ROLLER

NOTES:

Section 5 Contents

Engine, Kohler SV590	5-2
Engine, Kohler SV715	5-4
Fuel System	5-6

Engine, Kohler SV590



Engine, Kohler SV590

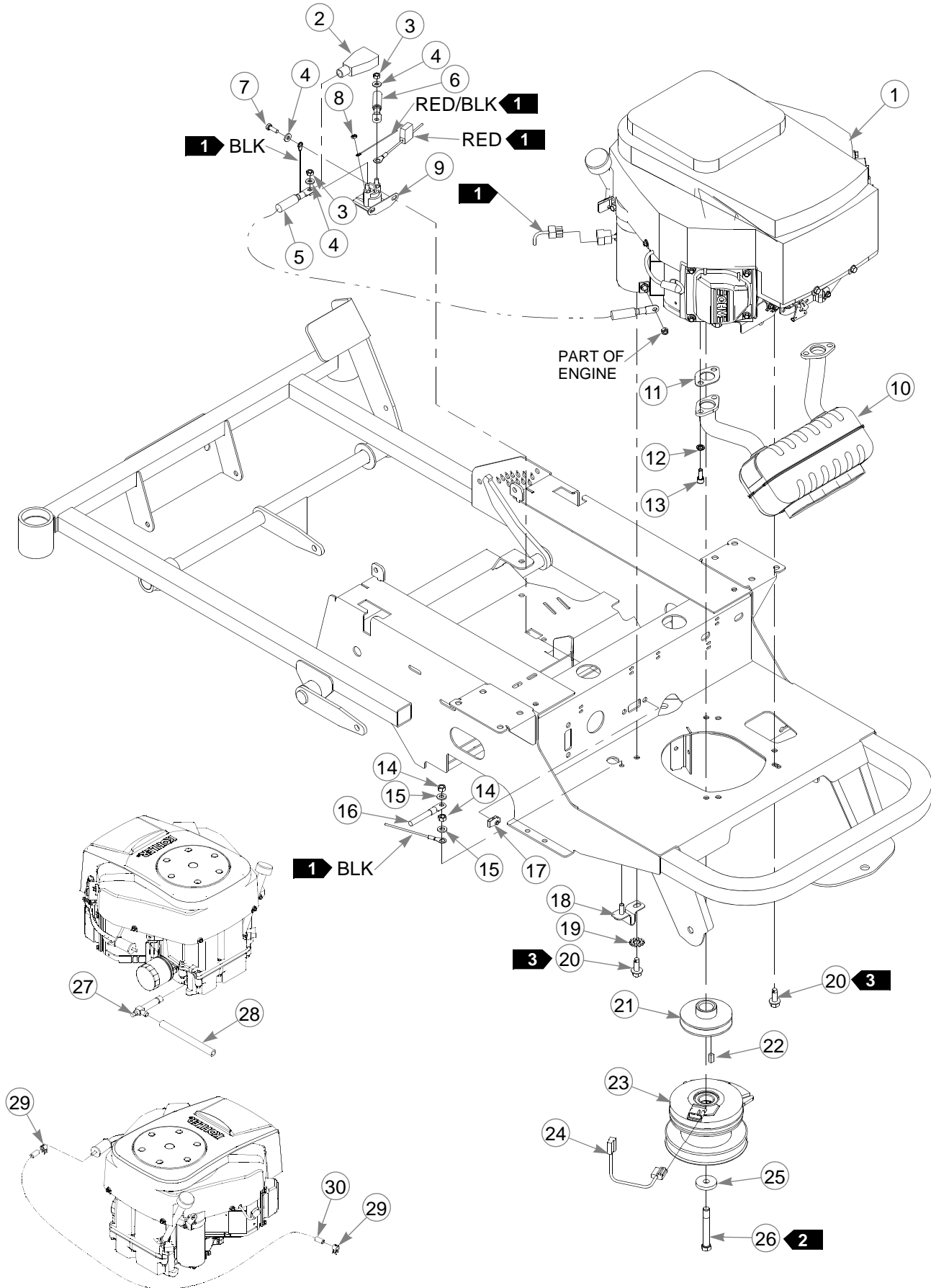
INDEX NO.	PART NO.	QTY.	DESCRIPTION
1	602369	1	ENGINE, KOHLER SV590S
2	771428	1	BATTERY CBL BOOT-RED
3	024927	3	NT .250-20 HX GR.5 ZNYC
4	768515	6	FW .281X.625X.051/.080H
5	601840	1	BATTERY CABLE, POS.
6	601062	1	BATTERY CABLE, POS
7	055939	2	CS .250-20X .750 HX G5
8	044255	1	NT #10-32 HX ZN
9	030817	1	STARTER SOLENOID
10	058776	1	NT .312-18 HXZY NL
11	768523	2	FW .343X.687X.051/.080H
12	601841	1	BATTERY CABLE, NEG.
13	029876	1	LW .312 INT-EXT TOOTH ZN
14	055947	1	CS .250-20X .500 HX G5
15	017004	2	LW .312 MED SPRING ZNYC
16	704478	2	CS .312-18X .75 SKTHD
17	785543	1	GASKET, MUFFLER
18	602325	1	MUFFLER, KOHLER SV590
19	602380	1	ISOLATOR, ENGINE MUFFLER
20	601982	2	CN .250-20X .150 MAX THK
21	038828	1	CS .312-18X2.250 HX G5
22	793760	1	PULLEY,ENGINE-HYDRO DRIVE
23	601801	1	CLUTCH WARNER I-5217-53
24	791251	1	HARNES, CLUTCH PIGTAIL
25	792788	3	SC.375-16X1.0HX FL STP
26	712372	1	KEY 1/4 SQ X 0.66 LG
27	763417	1	FW .454X1.50X.250
28	601834	1	CS .437-20X3.250 HX G5
29	104786	1	OIL DRAIN HOSE
30	796516	1	VALVE,OIL DRAIN 3/8-18
31	000323	2	CLIP
32	015818	12"	FUEL LINE, 1/4"
33	000331	1	WIRE TIE, SMALL/SHORT

NOTES:

1. Part of wiring harness.
2. Torque to 61-65 Nm. Replace (do not reuse) capscrew if removed or loosened. Use only hand tools to install this fastener.
3. Torque to 41-47Nm. Do not reuse factory installed screw when performing service to mower requiring removal of engine, replace with 3/8-16 x 1.0 long grade five cap screw.
4. Engine oil capacity: Check engine oil level after running engine—level must be within operating zone on dipstick (see engine owner's manual).

ENGINE SPEEDS		
MODEL NO. ENDING IN:	LOW IDLE	HIGH IDLE
CE	1900±100 RPM	2400±50 RPM

Engine, Kohler SV715



Engine, Kohler SV715

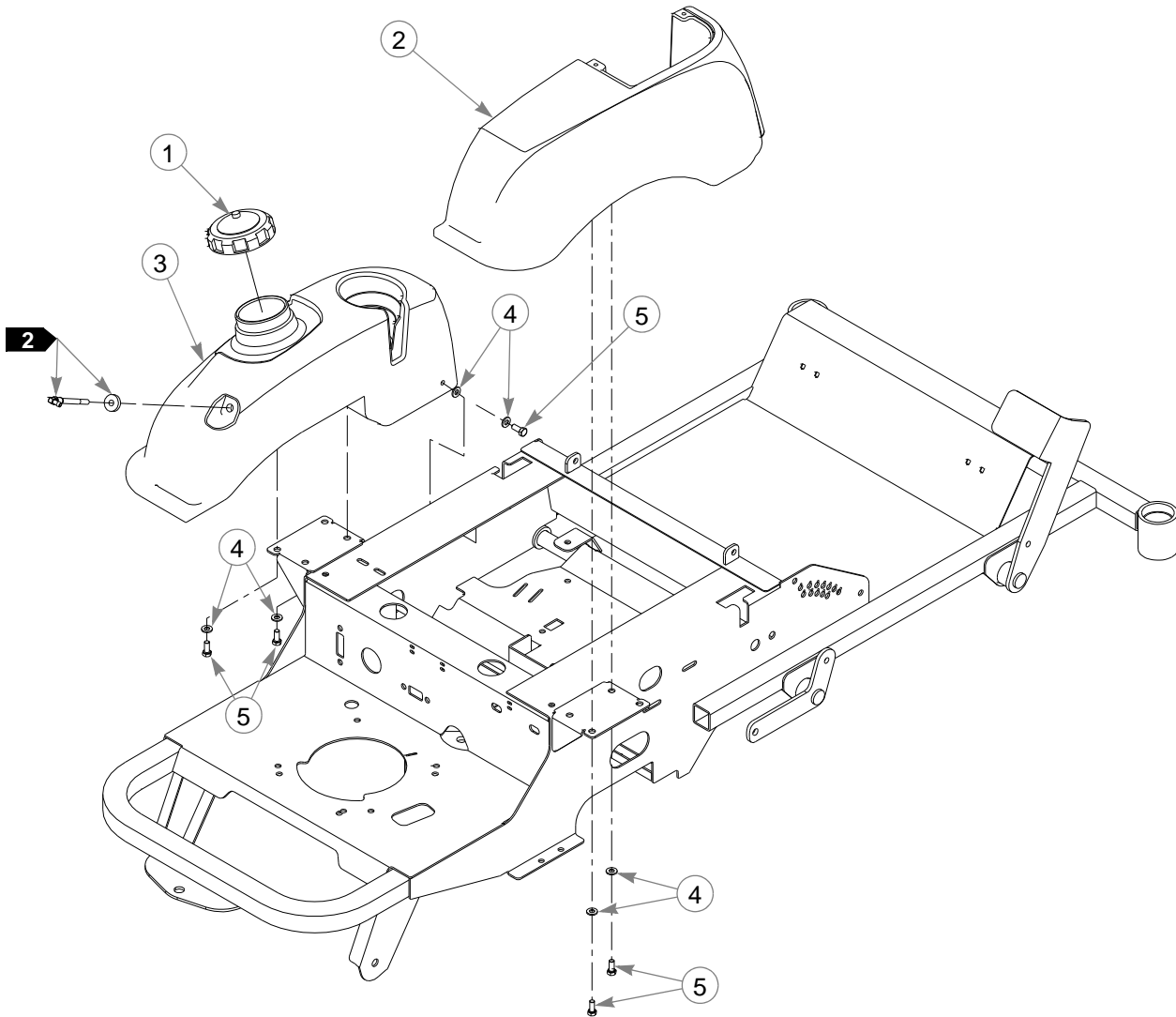
INDEX NO.	PART NO.	QTY.	DESCRIPTION
1	602237	1	ENGINE, 22HP KOHLER SV715
2	771428	1	BATTERY CBL BOOT-RED
3	024927	2	NT .250-20 HX GR.5 ZNYC
4	768515	4	FW .281X.625X.051/.080H
5	601840	1	BATTERY CABLE, POS.
6	601062	1	BATTERY CABLE, POS
7	055939	2	CS .250-20X .750 HX G5
8	044255	1	NT #10-32 HX ZN
9	030817	1	STARTER SOLENOID
10	602320	1	MUFFLER, KOH SV715/725
11	785543	2	GASKET, MUFFLER
12	017004	4	LW .312 MED SPRING ZNYC
13	704478	2	CS .312-18X .75 SKTHD
14	034272	2	NT .312-18 HX G5 ZN
15	768523	2	FW .343X.687X.051/.080H
16	601841	1	BATTERY CABLE, NEG.
17	601982	2	CN .250-20X .150 MAX THK
18	112411	1	GROUND STRAP W/A
19	793885	1	LW .375 INT-EXT TOOTH
20	792788	4	SC.375-16X1.0HX FL STP
21	793760	1	PULLEY,ENGINE-HYDRO DRIVE
22	712372	1	KEY 1/4 SQ X 0.66 LG
23	601801	1	CLUTCH WARNER I-5217-53
24	791251	1	HARNESS, CLUTCH PIGTAIL
25	763417	1	FW .454X1.50X.250
26	601834	1	CS .437-20X3.250 HX G5
27	796672	1	VALVE,OIL DRAIN 3/8-18 4.5" OAL DAPCO#
28	104786	1	OIL DRAIN HOSE
29	000323	2	CLIP
30	015818	28"	FUEL LINE, 1/4"
31	000331	3	WIRE TIE, SMALL/SHORT
32	602371	1	EMC/RFI CONVERSION, KOH (NOT SHOWN)

NOTES:

1. Part of wiring harness.
2. Torque to 61-65 Nm. Replace (do not reuse) capscrew if removed or loosened. Use only hand tools to install this fastener.
3. Torque to 40.7-47.5 N-m.
4. Check engine oil level after running engine—level must be within operating zone on dipstick (see engine owner's manual). Service engine with Champion XC12YC or equivalent spark plug.

ENGINE SPEEDS		
MODEL NO. ENDING IN:	LOW IDLE	HIGH IDLE
CE	1900±50 RPM	2900±50 RPM

Fuel System



Fuel System

ITEM NO.	PART NO.	QTY	DESCRIPTION
1	779306	1	3.5" FUEL CAP
2	110080	1	FENDER RH
3	110081	1	FENDER TANK LH
4	768523	8	FW .343X.687X.051/.080H
5	034280	6	CS .312-18X .750 HX G5

NOTES:

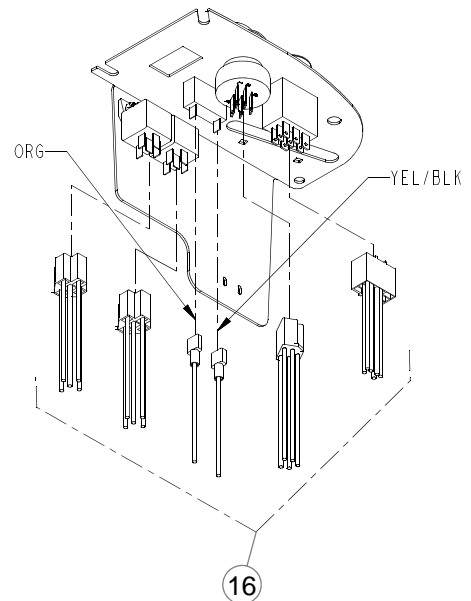
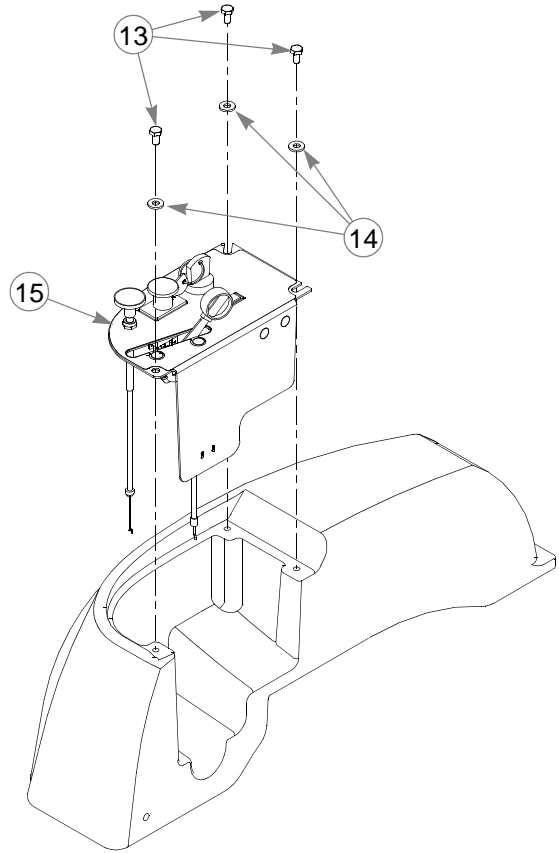
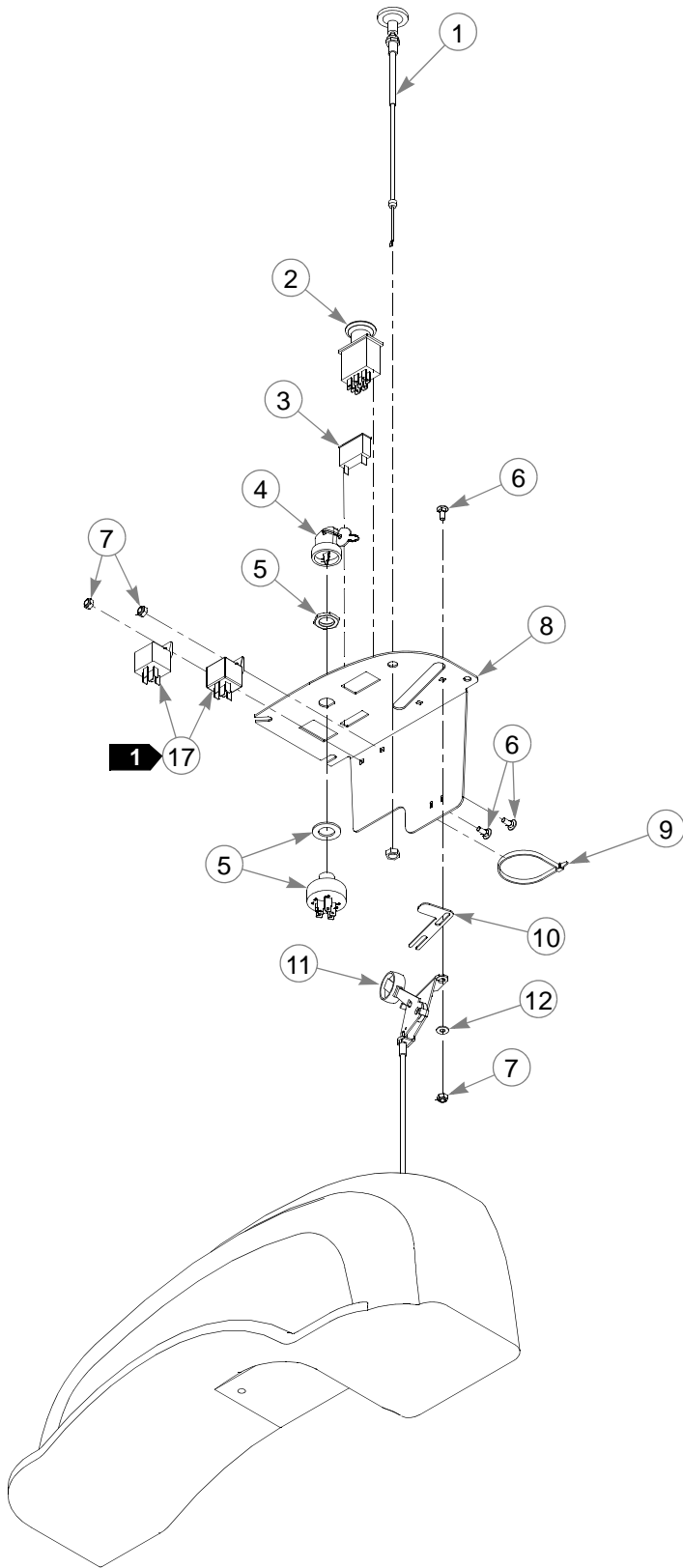
1. Torque to 27.12 N-m.
2. Suction hose and grommet included with new fuel tank.
3. Service parts available for the fuel tank:

PART NUMBER	DESCRIPTION	PART NUMBER	DESCRIPTION
785295	FLANGE GROMMET	601805	SUCTION HOSE ASSY 22.0

Section 6 Contents

Instrument Panel, Kohler CE	6-2
Battery	6-4
Electrical Schematic—Kohler (602322)	6-6

Instrument Panel, Kohler CE



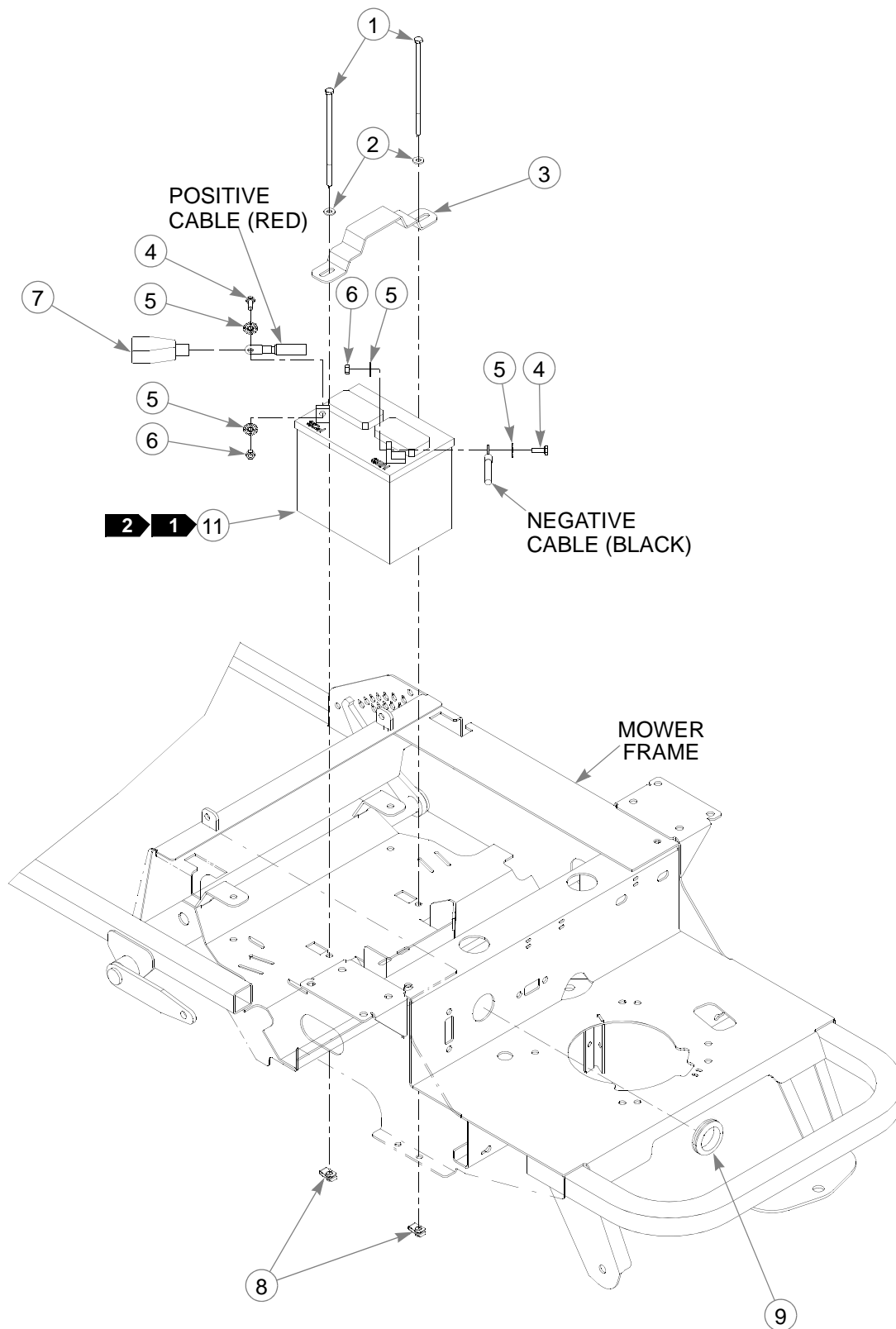
Instrument Panel, Kohler CE

INDEX NO.	PART NO.	QTY.	DESCRIPTION
1	785030	1	CABLE, CHOKE
2	776476	1	SWITCH, PTO 6201-321(FS)
3	712257	1	INDICATOR LIGHT, RED(FS)
4	785808	1	KEY ASSEMBLY (FS)
5	045898	1	IGN SWITCH INDAK 3H463
6	601098	4	CB 10-24 X .500 ZYNC
7	059832	4	NT #10-24 HX NL ZN
8	550225	1	INSTRUMENT PANEL
9	000331	6	WIRE TIE, SMALL/SHORT
10	111906	1	THROTTLE STOP, CE
11	786384	1	CABLE, THROTTLE ASSEMBLY
12	704932	2	FW .219X .500X.048 ZNYC
13	055947	3	CS .250-20X .500 HX G5
14	768515	3	FW .281X.625X.051/.080H
15	602232	1	DECAL, INST PANEL
16	602322	1	WIRE HARNESS FST SPORT
17	601053	2	RELAY, SEALED W/BRACKET

NOTES:

1. Part of wiring harness.
2. Service part instrument panel includes decal.

Battery



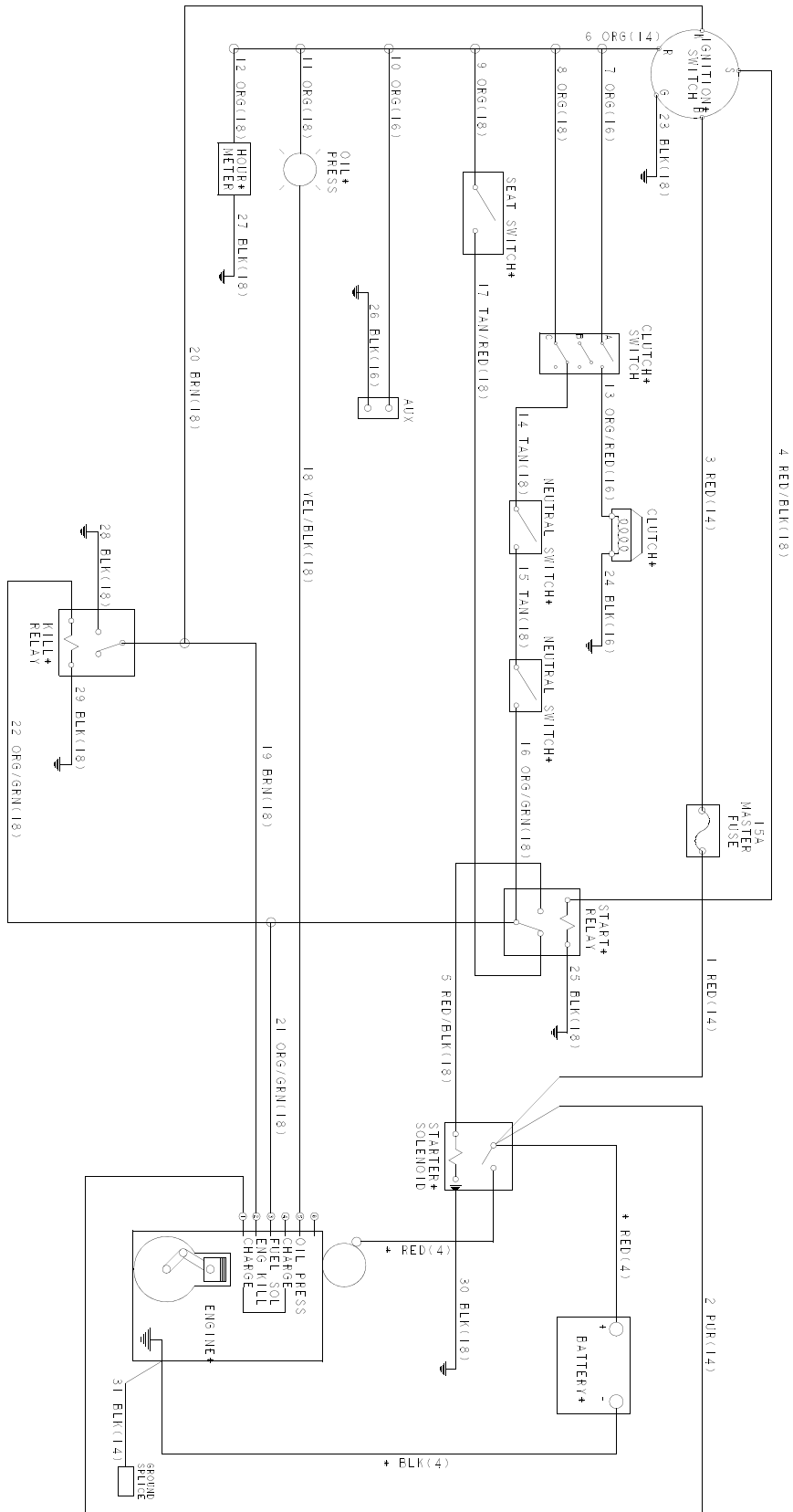
Battery

INDEX NO.	PART NO.	QTY.	DESCRIPTION
1	601930	2	CS .250-20 X 6.50 HX G5
2	768515	2	FW .281 X .625 X .051/.080H
3	348417	1	BATTERY CLAMP STRAP
4	055939	2	CS .250-20 X .750 HX G5 ZN
5	029868	4	LW .250 INT-EXT TOOTH ZN
6	024927	2	NT .250-20 HX GR.5 ZNYC
7	771428	1	BATTERY CBL BOOT-RED
8	601982	2	CN .250-20X.150 MAX THK
9	794644	1	GM 1.50 X 2.12 X 1.75
10	000331	2	WIRE TIE, SMALL/SHORT

NOTES:

1. When performing service on mower, disconnect battery ground cable and do not reconnect to battery until engine is ready to be started. See Owners Manual.
2. Battery is not installed in CE and non CE export models.

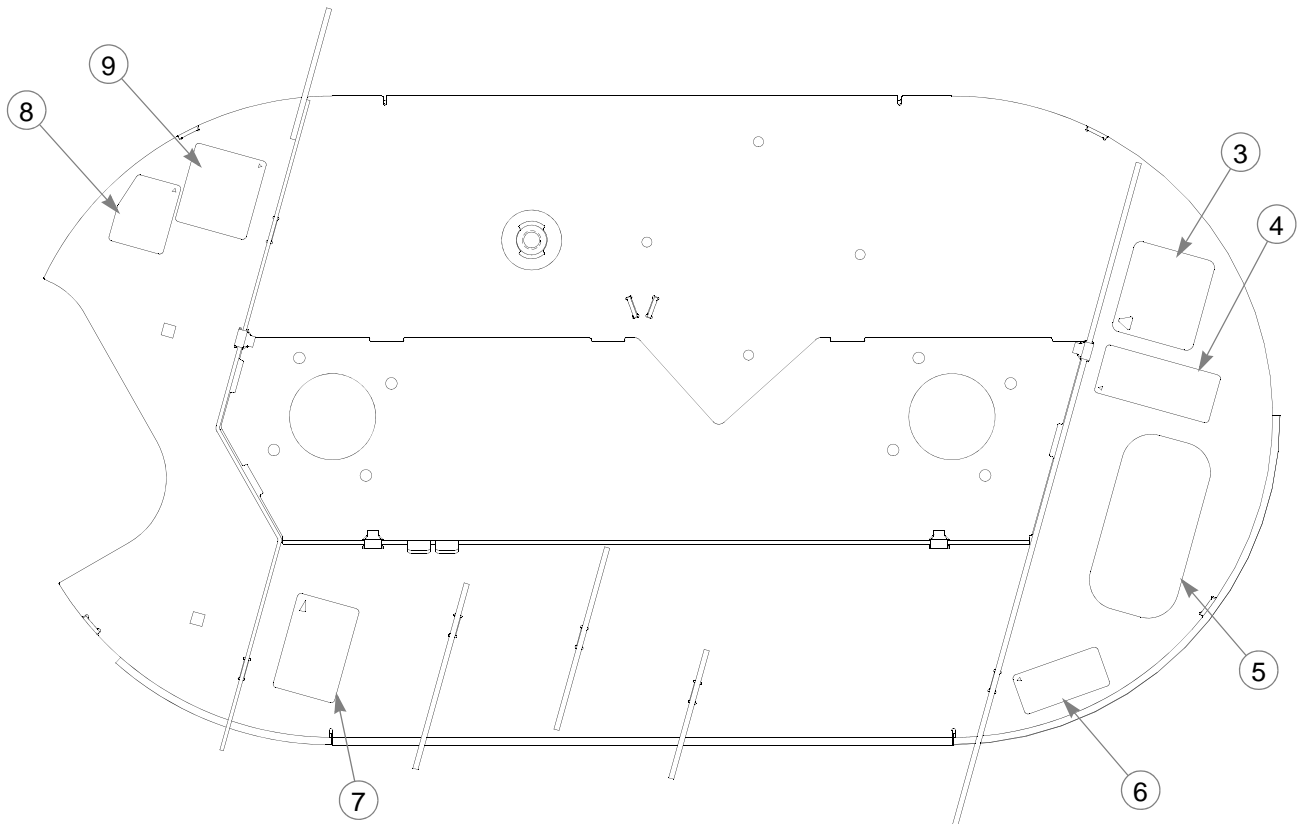
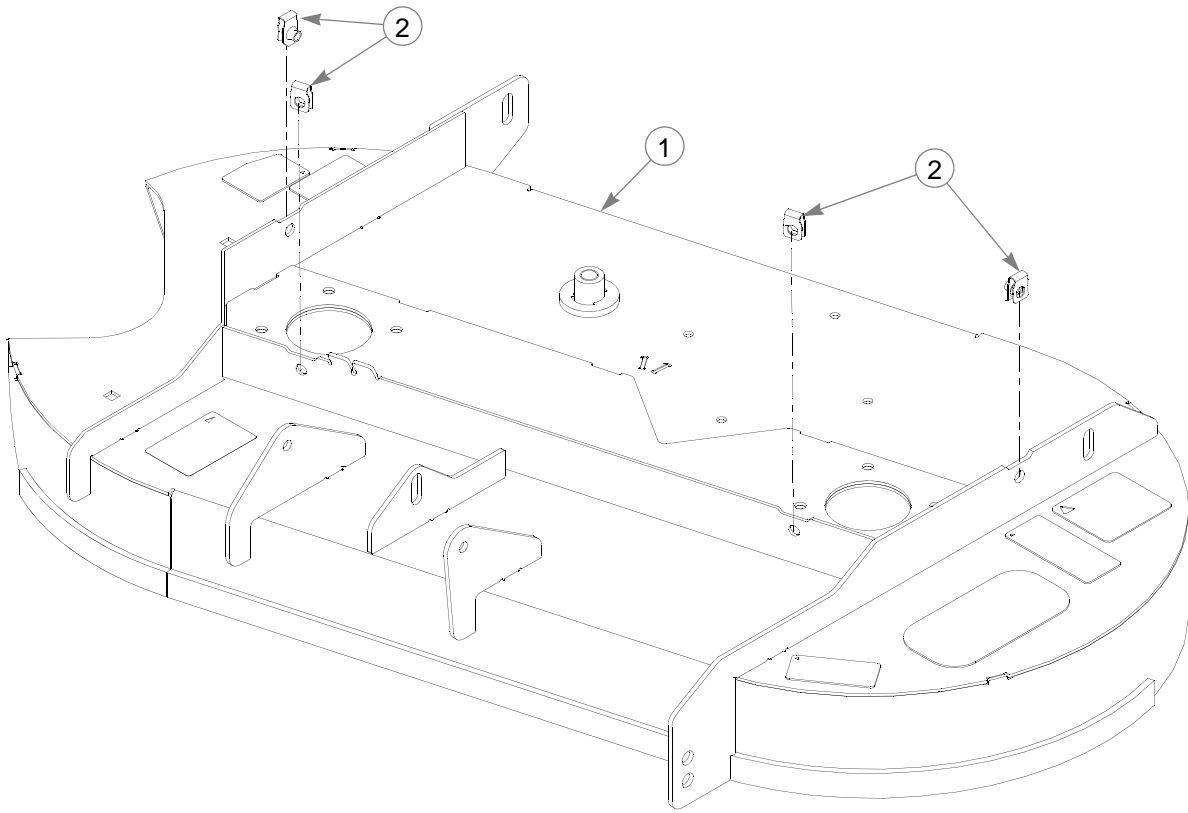
Electrical Schematic—Kohler (602322)



Section 7 Contents

42" Deck Decals—Forward Swept	7-2
Deck Decals—Rear Swept	7-4
48" Deck Decals	7-6
42" Deck Pulleys and Spindles—Forward Swept	7-8
Deck Pulleys and Spindles	7-10
48" Deck Pulleys and Spindles	7-12
42" CE Deck	7-14
42" CE Deck Belt Routing & Tensioning	7-16
42" CE Deck—Rear Swept	7-18
42" CE Deck—Rear Swept Belt Routing & Tensioning	7-20
48" CE Deck	7-22
48" CE Deck Belt Routing & Tensioning	7-24
Deck Lift.	7-26
Deck Mounting Hardware	7-28

42" Deck Decals—Forward Swept



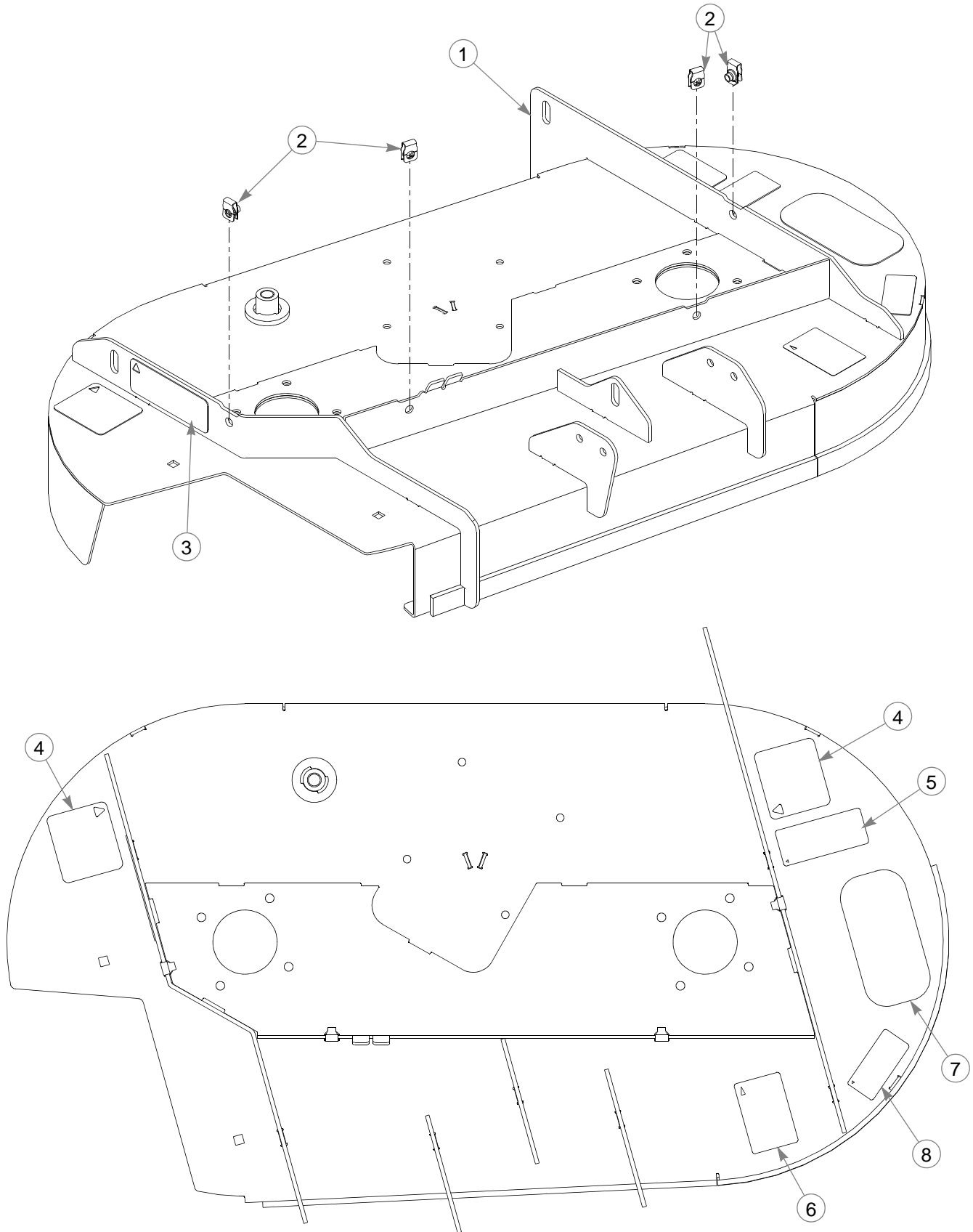
42" Deck Decals—Forward Swept

INDEX NO.	PART NO.	QTY.	DESCRIPTION
1	550011	1	DECK W/A, 42" SPORT
2	601069	4	CN .312-18X.200 MAX THK
3	601837	1	DECK DANGERS DECAL
4	601892	1	THROWN OBJECTS DECAL
5	794503	1	STEP TREAD
6	793521	1	42 DECK ID DECAL
7	602243	1	BELT ROUTING DECAL
8	601817	1	DISCHARGE DECAL
9	601816	1	DECK DANGERS DECAL

NOTES:

1. Item 1 (Deck Weldment) includes Items 2–9.

Deck Decals—Rear Swept



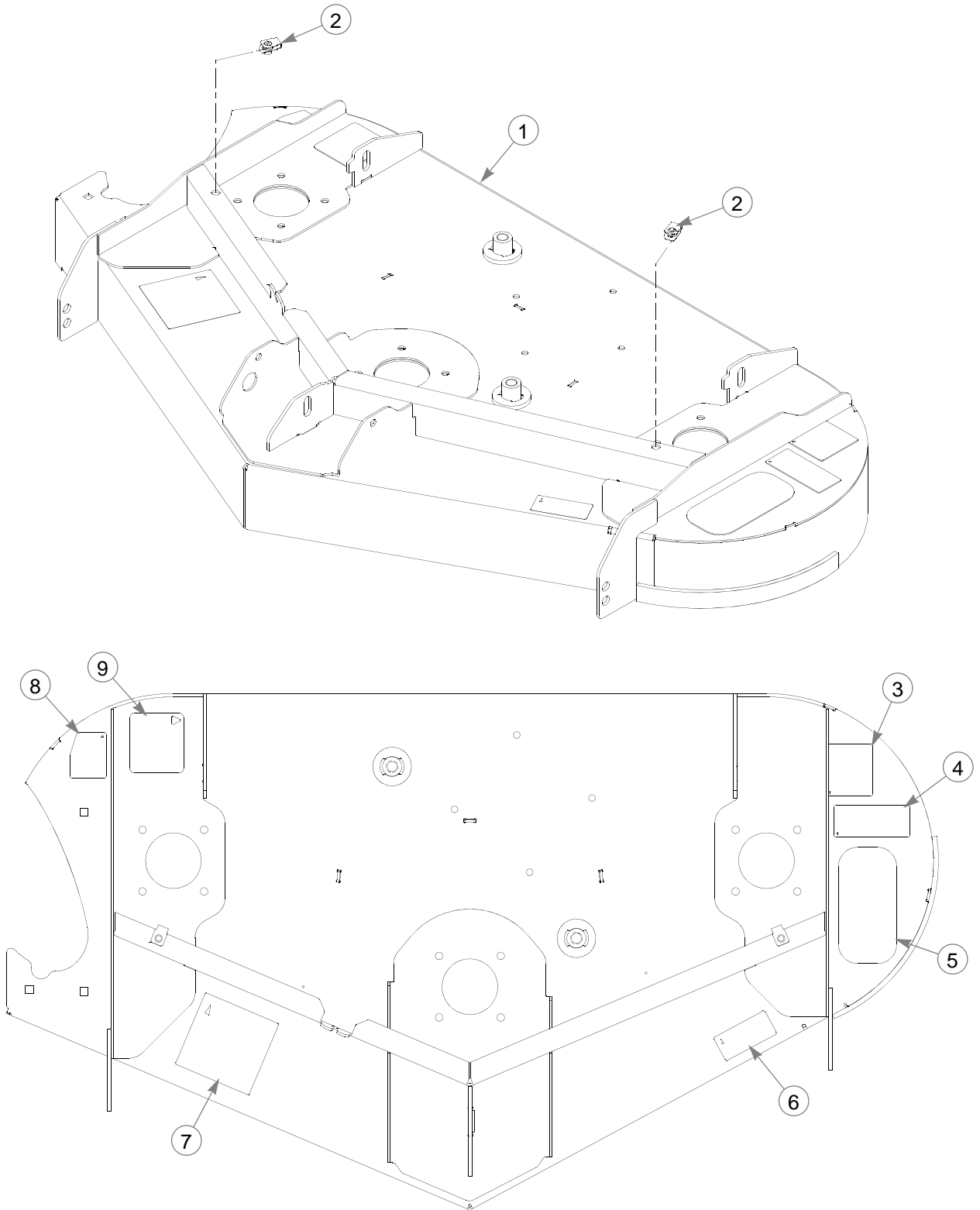
Deck Decals—Rear Swept

INDEX NO.	PART NO.	QTY	DESCRIPTION
1	550592	1	42" DECK
2	601069	4	CN .312-18 X .200 MAX THK
3	601624	1	DISCHARGE CHUTE DECAL
4	601837	2	DECK DANGERS DECAL
5	601892	1	THROWN OBJECTS DECAL
6	602243	1	BELT ROUTING DECAL
7	794503	1	STEP TREAD 3 X 6
8	793521	1	42" DECK ID DECAL

NOTES:

1. Item 1 includes items 2–8.

48" Deck Decals



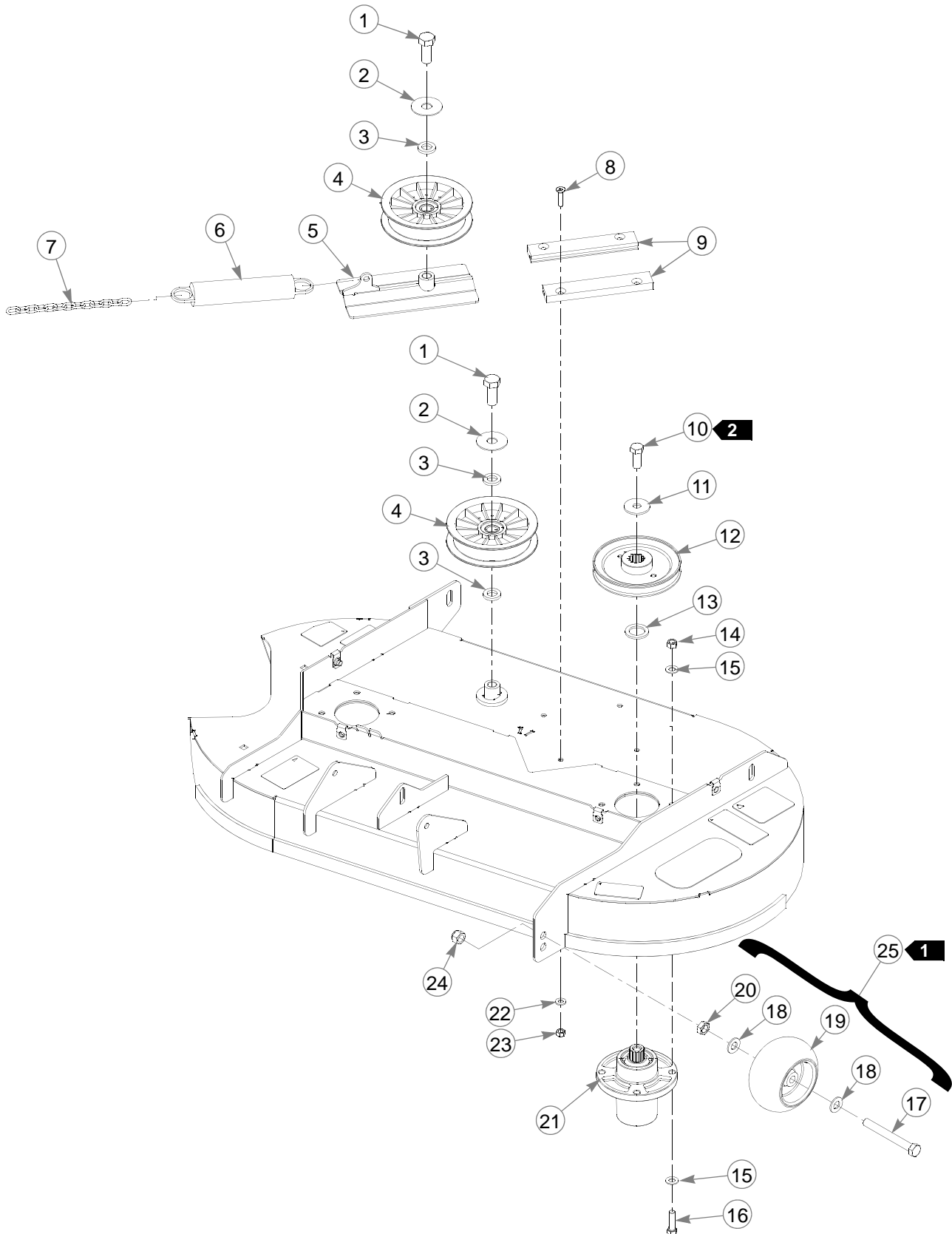
48" Deck Decals

INDEX NO.	PART NO.	QTY.	DESCRIPTION
1	109754	1	48" DECK W/A
2	601069	2	CN .312-18X.200 MAX THK
3	601816	1	DECK DANGERS DECAL
4	601892	1	THROWN OBJECTS DECAL
5	794503	1	STEP TREAD
6	793976	1	48" DECK ID DECAL
7	781419CE	1	DECK BELT RTG DECAL
8	601817	1	DISCHARGE DECAL
9	601837	1	DECK DANGERS DECAL

NOTES:

1. Item 1 (Deck Weldment) includes Item 2–9.

42" Deck Pulleys and Spindles—Forward Swept



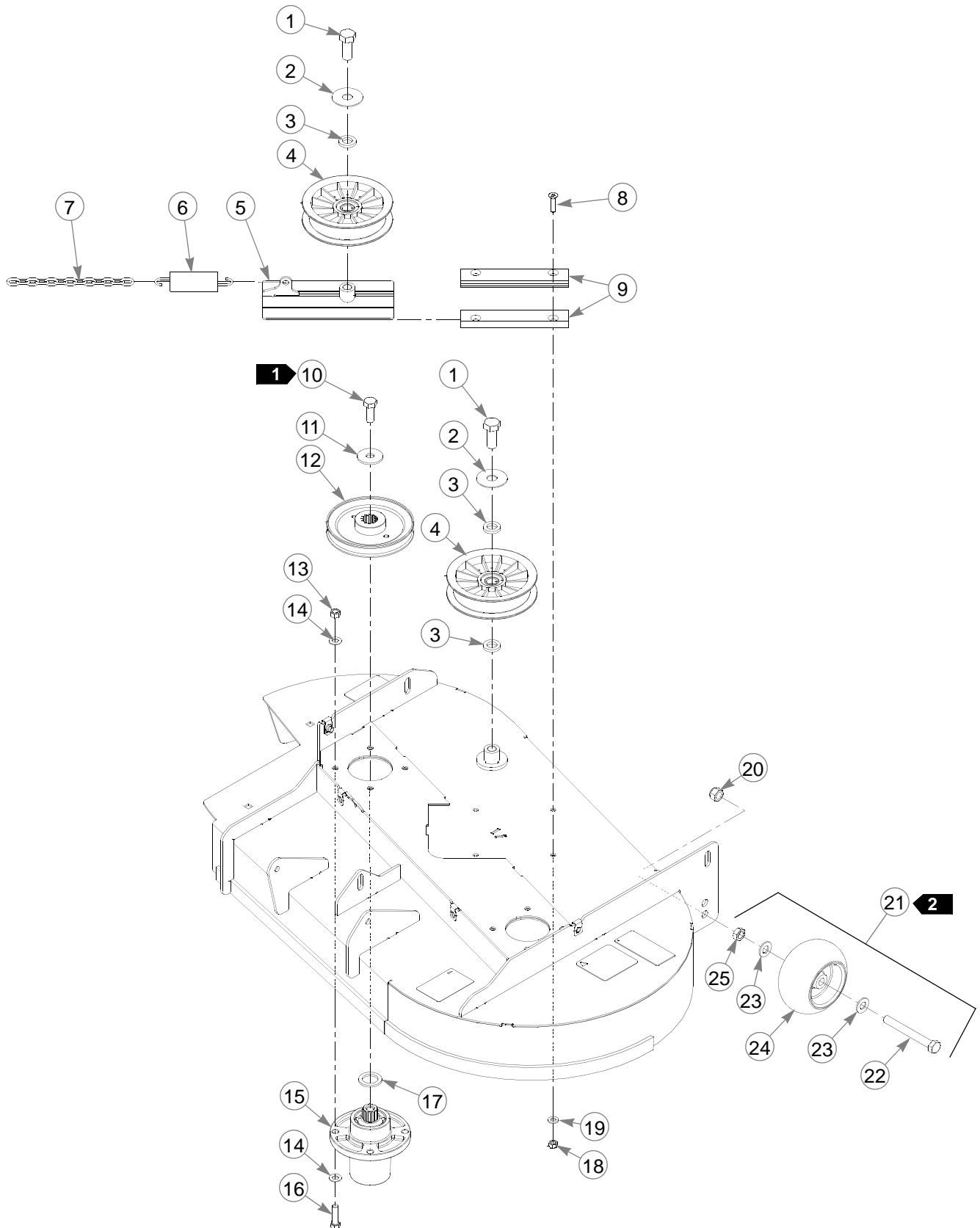
42" Deck Pulleys and Spindles—Forward Swept

INDEX NO.	PART NO.	QTY.	DESCRIPTION
1	794446	2	CS .625-11X1.500 HX G5
2	046821	2	FW .656X 2.00X.078 ZNYC
3	797449	3	FW .650X1.125X.18 ZNYCG5
4	784504	2	PULLEY, IDLER, 5.00"OD
5	109770	1	IDLER SLIDE W/A
6	781302	1	IDLER SPRING
7	259812	1	CHAIN DECK LIFT SPRING
8	784199	4	CS .312-18X1.250 FLT SH
9	601619	2	IDLER SLIDE UHMW RT & LT
10	705954	2	CS .500-13X1.25 HX G5 Z
11	798603	2	FW .515X1.65X.125 HD ZY
12	793778	2	DECK SPINDLE PULLEY
13	045765	2	FW 1.030X 1.500X.134 ZN
14	054502	8	NT .375-16 HX GRD 5 ZNY
15	767954	16	FW .406X .812 X.060 SAE
16	005116	8	CS .375-16X1.375 HX G5
17	781708	1	CS .500-13X4.250 HX G5
18	767962	2	FW .531X 1.063X.090 SAE
19	031997	1	ANTI-SCALP WHEEL
20	053199	1	NT .500-13 HX JAM ZNYC
21	601804	2	SPINDLE ASSEMBLY
22	768523	4	FW .343X.687X.051/.080H
23	058776	4	NT .312-18 HXZY NL
24	781567	1	NT .500-13 HX G8 ZY NL
25	788166	1	ANTI SCALP WHEEL ASSY

NOTES:

1. Item 25 includes Items 17–20.
2. Torque to 99 N-m.

Deck Pulleys and Spindles



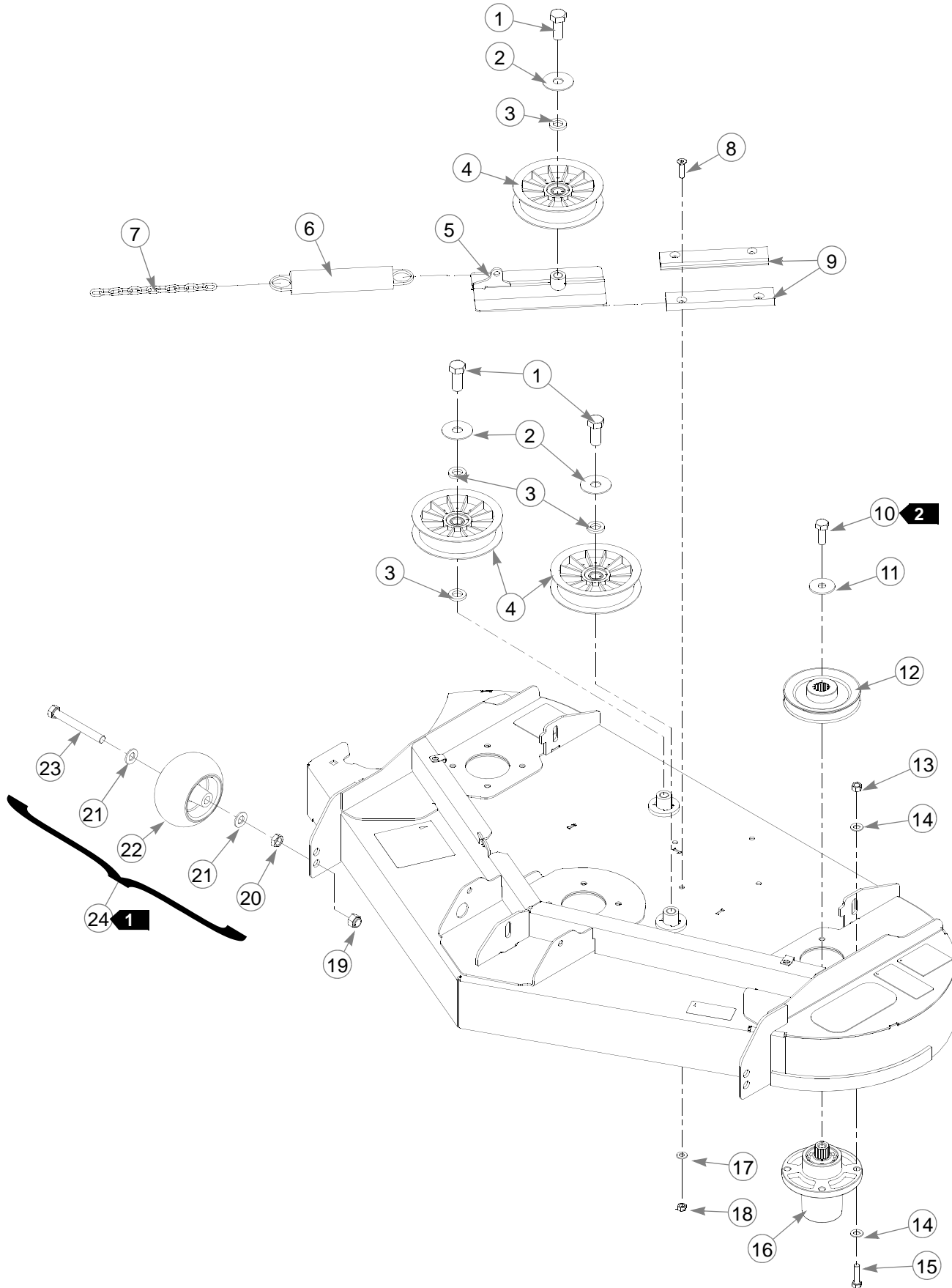
Deck Pulleys and Spindles

INDEX NO.	PART NO.	QTY	DESCRIPTION
1	794446	2	CS .625-11 X 1.500 HX G5 ZNYC
2	046821	2	FW .656 X 2.00 X .078 ZNYC
3	797449	3	FW .650 X 1.125 X .180 ZNYC G5
4	784504	2	IDLER PULLEY 5.00"
5	109770	1	IDLER SLIDE
6	036384	1	SPRING 1/4 COIL PL 1.23
7	259812	1	CHAIN DECK LIFT SPRING
8	784199	4	CS .312-18 X 1.250 FLT SH ZNYC
9	601619	2	IDLER SLIDE UHMW
10	705954	2	CS .500-13 X 1.250 HX G5 ZN
11	798603	2	FW .515 X 1.65 X .125 HD ZN
12	793778	2	DECK SPINDLE PULLEY
13	054502	8	NT .375-16 HX G5 ZN
14	767954	16	FW .406 X .812 X .060 SAE HRD ZN
15	601804	2	SPINDLE ASSEMBLY
16	005116	8	CS .375-16 X 1.375 HX G5 ZN
17	045765	2	FW 1.030 X 1.500 X .134 ZN
18	058776	4	NT .312-18 HX NL ZN
19	768523	4	FW .343 X .687 X .051/.080 HD ZN/YL
20	781567	1	NT .500-13 HX G8 ZN NY
21	788166	1	ANTI-SCALP WHEEL ASSEMBLY
22	781708	1	CS .500-13 X 4.250 HX G5
23	767962	2	FW .531 X 1.063 X .090 SAE
24	031997	1	ANTI-SCALP WHEEL
25	053199	1	NT .500-13 HX JAM ZNYC

NOTES:

1. Torque to 91–101 N-m.
2. Item 21 includes items 22–25.

48" Deck Pulleys and Spindles



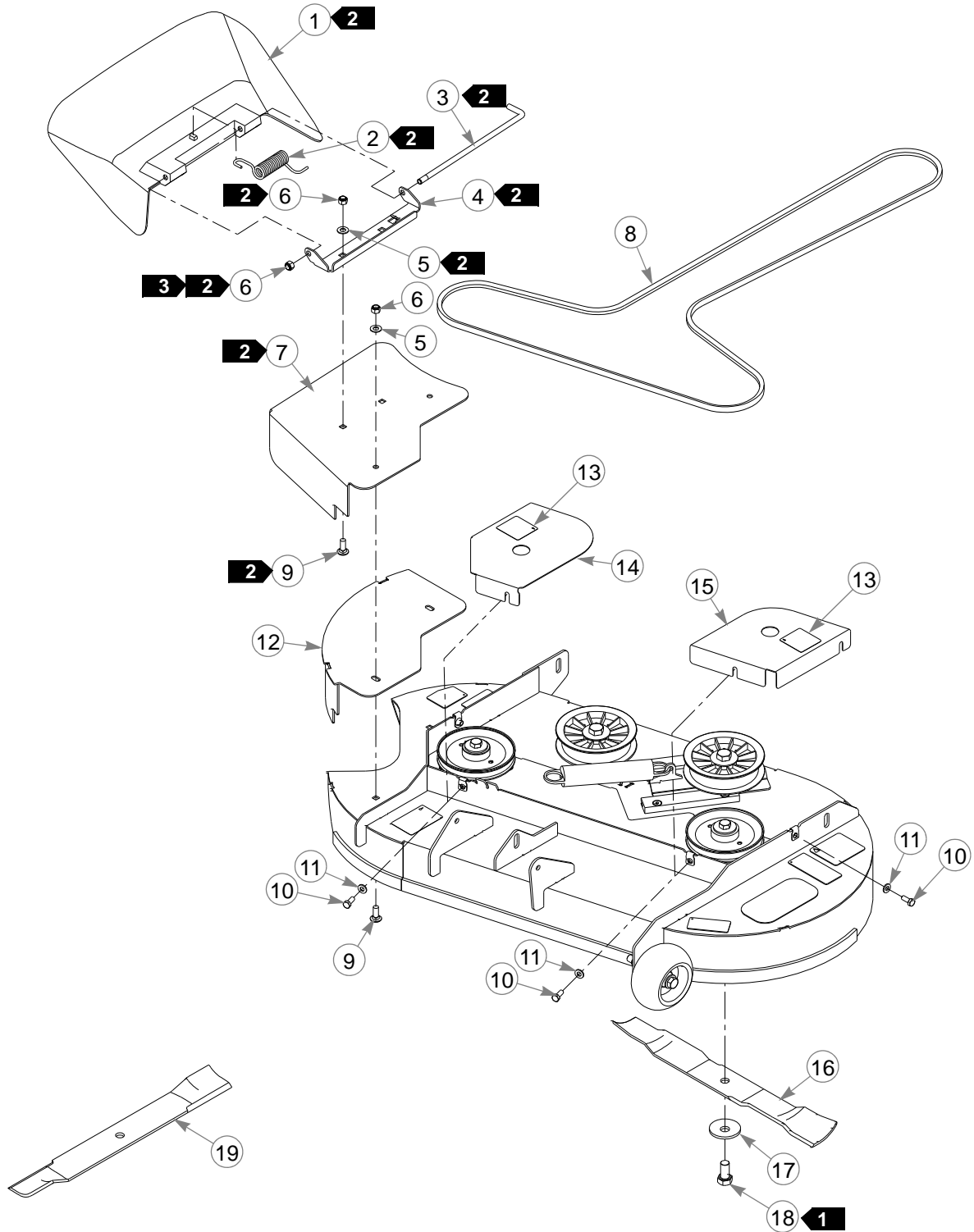
48" Deck Pulleys and Spindles

INDEX NO.	PART NO.	QTY.	DESCRIPTION
1	794446	3	CS .625-11X1.500 HX G5
2	046821	3	FW .656X 2.00X.078 ZNYC
3	797449	4	FW .650X1.125X.18 ZNYCG5
4	784504	3	PULLEY, IDLER, 5.00"OD
5	109770	1	IDLER SLIDE W/A
6	781302	1	IDLER SPRING
7	259812	1	CHAIN DECK LIFT SPRING
8	784199	4	CS .312-18X1.250 FLT SH
9	601619	2	IDLER SLIDE UHMW RT & LT
10	705954	3	CS .500-13X1.25 HX G5 Z
11	798603	3	FW .515X1.65X.125 HD ZY
12	792689	3	PULLEY 5.00"OD 80B102
13	054502	12	NT .375-16 HX GRD 5 ZNY
14	767954	24	FW .406X .812 X.060 SAE
15	005116	12	CS .375-16X1.375 HX G5
16	601804	3	SPINDLE ASSEMBLY
17	768523	4	FW .343X.687X.051/.080H
18	058776	4	NT .312-18 HXZY NL
19	781567	2	NT .500-13 HX G8 ZY NL
20	053199	2	NT .500-13 HX JAM ZNYC
21	767962	4	FW .531X 1.063X.090 SAE
22	031997	2	ANTI-SCALP WHEEL
23	781708	2	CS .500-13X4.250 HX G5
24	788166	2	ANTI SCALP WHEEL ASSY

NOTES:

1. Item 24 includes Items 20–23.
2. Torque to 99 N-m.

42" CE Deck



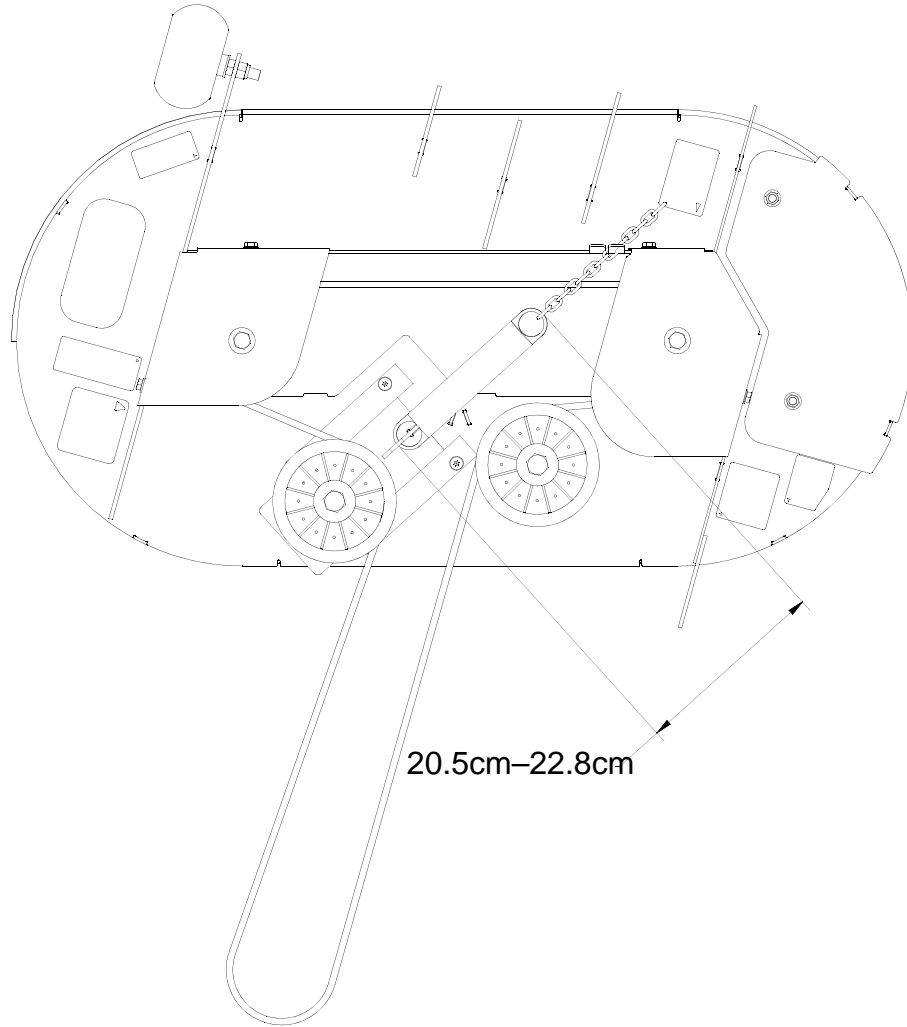
42" CE Deck

INDEX NO.	PART NO.	QTY.	DESCRIPTION
1	601806	1	DISCHARGE CHUTE
2	602591	1	TORSION SPRING
3	601843	1	CHUTE PIN
4	111067	1	SPORT CHUTE BRACKET
5	767954	4	FW .406X .812 X.060 SAE
6	086660	5	NT .375-16 HXZY NL
7	110846	1	DISCHARGE CHUTE
8	600726	1	BELT A 114.3" EL
9	025395	4	CB .375-16X 1.00 STD CD
10	034280	4	CS .312-18X .750 HX G5
11	768523	4	FW .343X.687X.051/.080H
12	110906	1	MULCH CLOSEOFF WELDMENT
13	602562	2	DECAL, NO SERVICE
14	110891	1	RIGHT HAND PULLEY COVER
15	110892	1	LEFT HAND PULLEY COVER
16	794214	2	BLADE 20.50"-MUL-F-CW
17	782474	2	CW .631 2.250X .187 PNT
18	781872	2	CS .625-11X1.25 HX G5 Z
19	793794	2	BLADE 20.50"-L-F-CW

NOTES:

1. Torque to 160N-m.
2. Items 1–7 & 9 (as flagged) must be used when mulch system is removed.
3. Do not torque, Item 1 (Discharge Chute) must pivot freely.

42" CE Deck Belt Routing & Tensioning

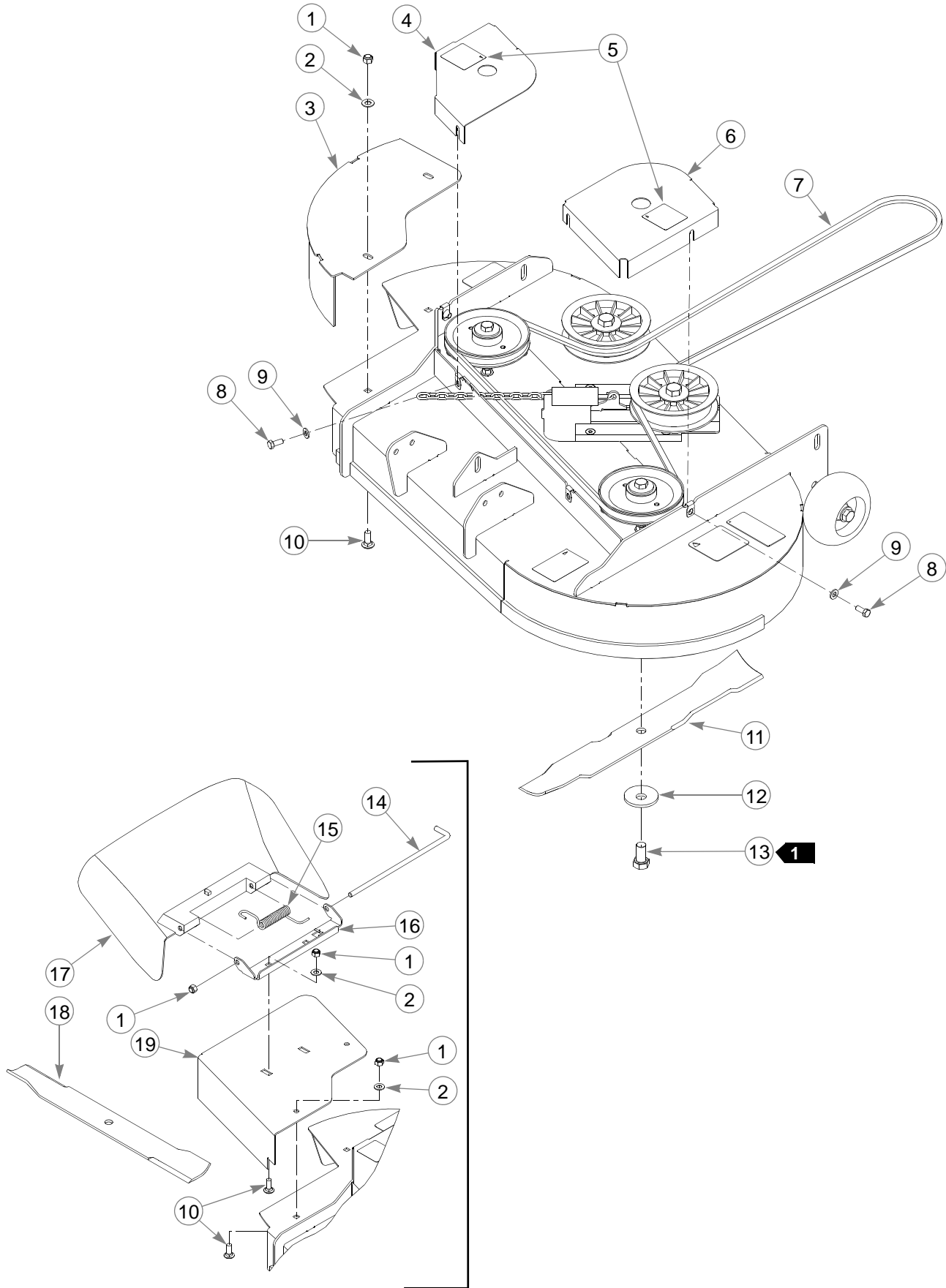


NOTES:

4. Spring length after tensioning new belt is measured from outside of hook to outside of hook.
5. Route belt as shown.

This page intentionally left blank.

42" CE Deck—Rear Swept



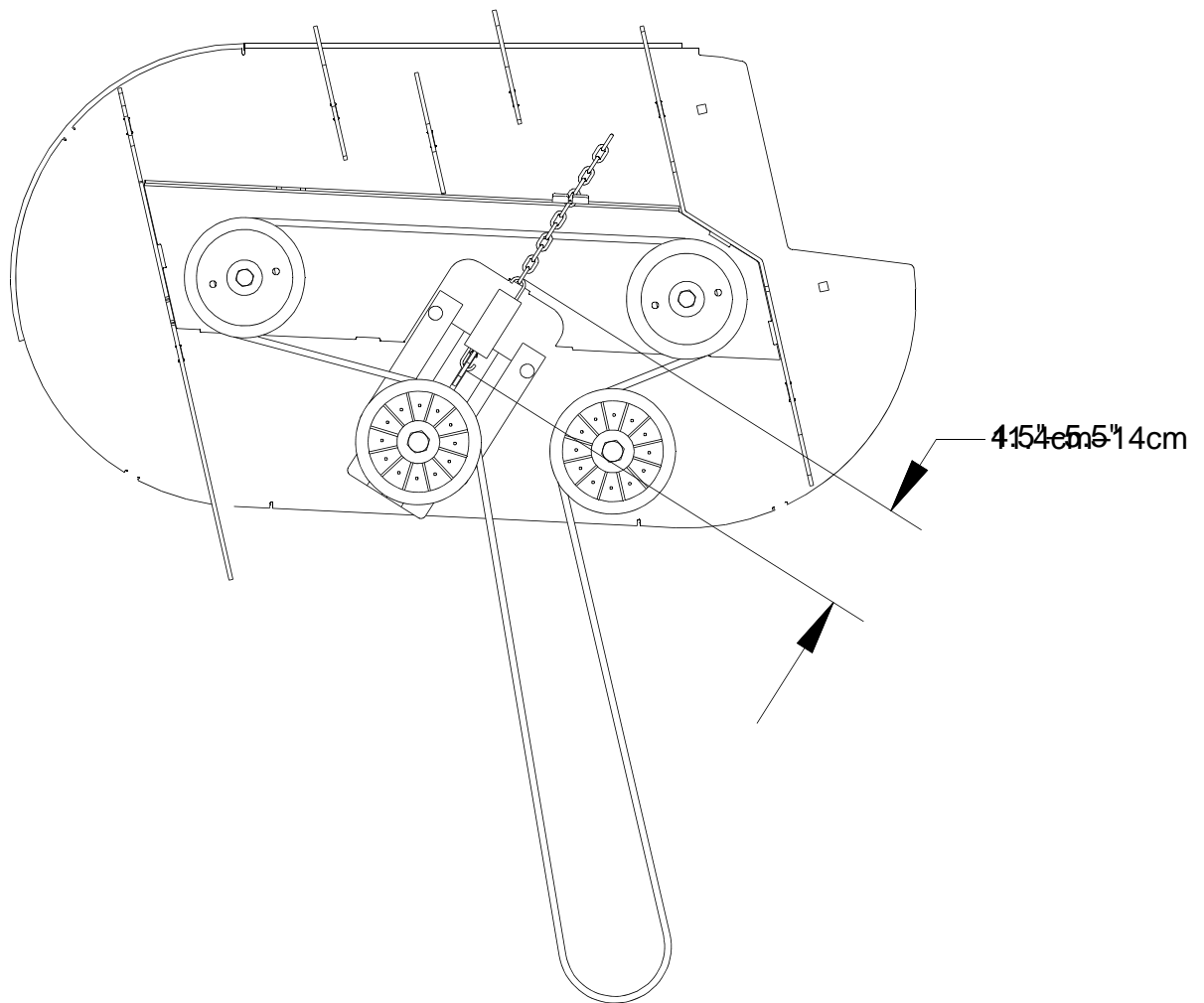
42" CE Deck—Rear Swept

INDEX NO.	PART NO.	QTY.	DESCRIPTION
1	086660	5	NT .375-16 HX G5 ZN NY
2	767954	4	FW .406 X .812 X .060 SAE HRD ZN
3	112724	1	CLOSEOFF, DISCHARGE CHUTE
4	112187	1	PULLEY COVER, RH 42"
5	602562	2	DECAL, NO SERVICE
6	112188	1	PULLEY COVER, LH 42"
7	600726	1	BELT, A 114.3" EL
8	034280	4	CS .312-18 X .750 HX G5 ZN
9	768523	4	FW .343 X .687 X .051/.080 HD ZN/YL
10	025395	4	CB .375-16 X 1.000 STD
11	794214	2	BLADE, 20.50"-MUL-F-CW
12	782474	2	CW .631 X 2.250 X .187 PNT
13	781872	2	CS .625-11 X 1.250 HX G5 ZN
14	601843	1	PIN, CHUTE DISCHARGE
15	601824	1	SPRING,TORSION
16	111067	1	BRACKET, CHUTE
17	601806	1	DISCHARGE CHUTE
18	793794	2	BLADE, 20.50"-L-F-CW
19	112429	1	ADAPTER, DISCHARGE CHUTE

NOTES:

1. Torque to 160 N.m.

42" CE Deck—Rear Swept Belt Routing & Tensioning

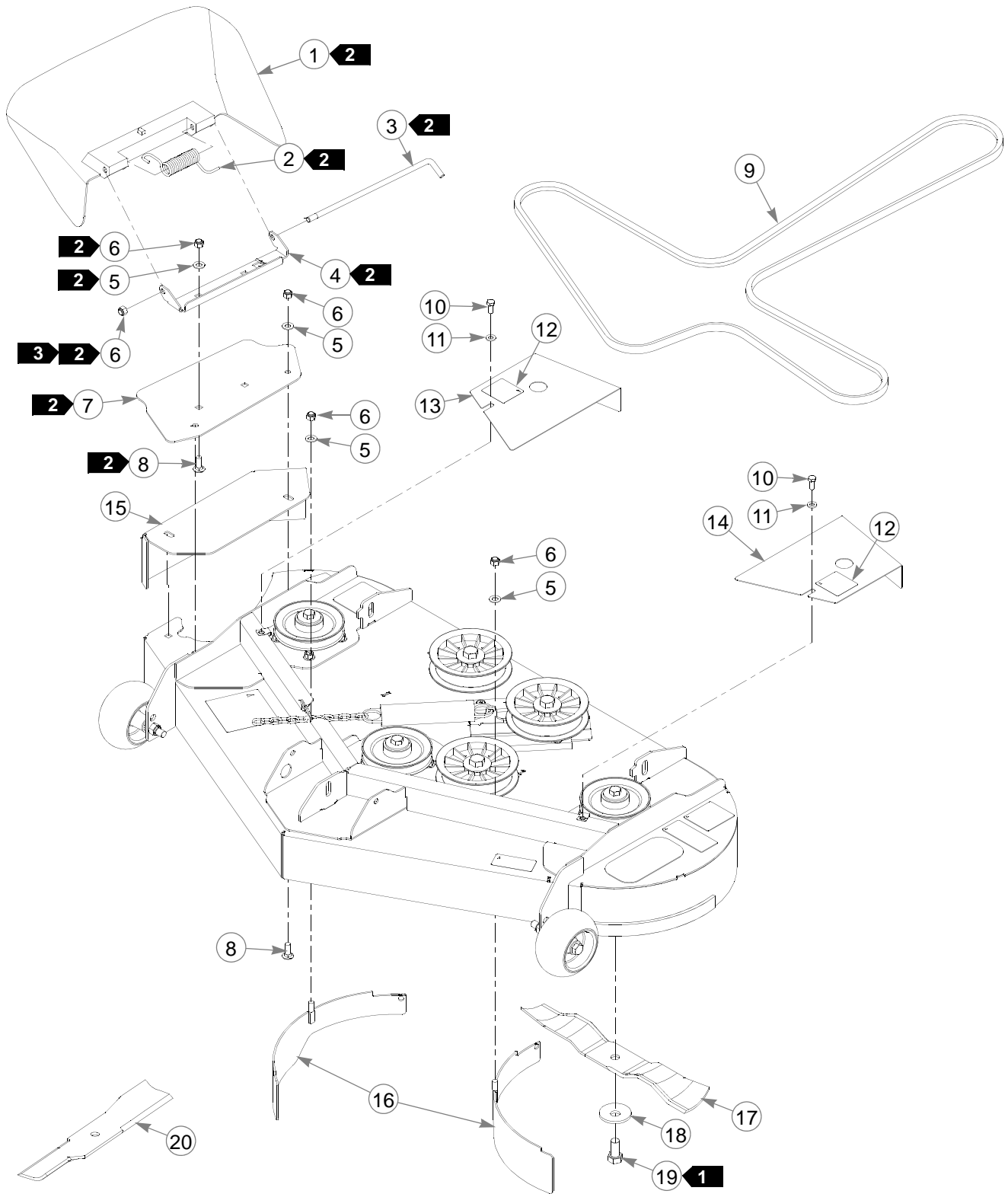


NOTES:

2. Spring length after tensioning new belt. Measured from outside of hook to outside of hook at deck leveling height.
3. Route belt as shown.

This page intentionally left blank.

48" CE Deck



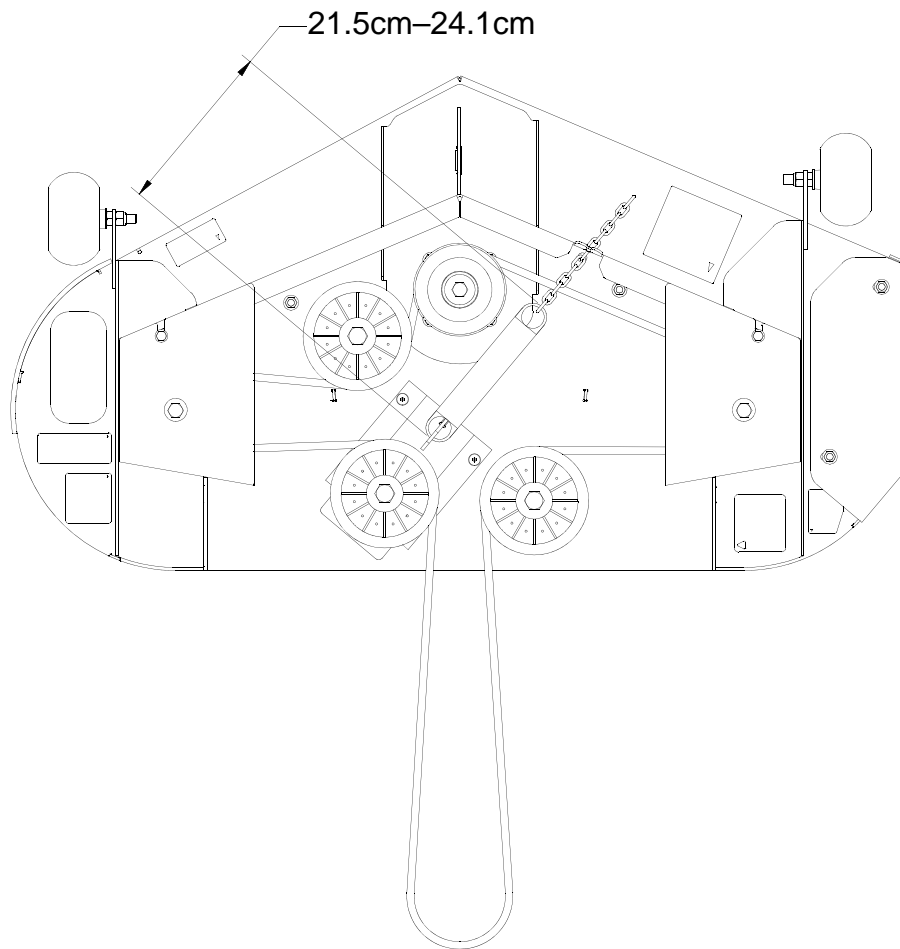
48" CE Deck

INDEX NO.	PART NO.	QTY.	DESCRIPTION
1	601806	1	DISCHARGE CHUTE
2	602591	1	TORSION SPRING
3	601843	1	CHUTE PIN
4	111067	1	SPORT CHUTE BRACKET
5	767954	6	FW .406X .812 X.060 SAE
6	086660	7	NT .375-16 HXZY NL
7	110821	1	CHUTE ADAPTER PLATE
8	025395	4	CB .375-16X 1.00 STD CD
9	771634	1	BELT B 134.50" EL
10	034280	2	CS .312-18X .750 HX G5
11	768523	2	FW .343X.687X.051/.080H
12	602562	2	DECAL, NO SERVICE
13	110840	1	RIGHT HAND PULLEY COVER
14	110841	1	LEFT HAND PULLEY COVER
15	110887	1	MULCH CLOSE OFF
16	108225	2	MULCH BAFFLE 48"
17	796623	3	BLADE 16.50"-MUL-F-CW
18	782474	3	CW .631 2.250X .187 PNT
19	781872	3	CS .625-11X1.25 HX G5 Z
20	601123	3	BLADE 16.50"-L-F-CW

NOTES:

1. Torque to 160N-m.
2. Items 1–8 (as flagged) must be used when mulch system is removed.
3. Do not torque, Item 1 (Discharge Chute) must pivot freely.

48" CE Deck Belt Routing & Tensioning

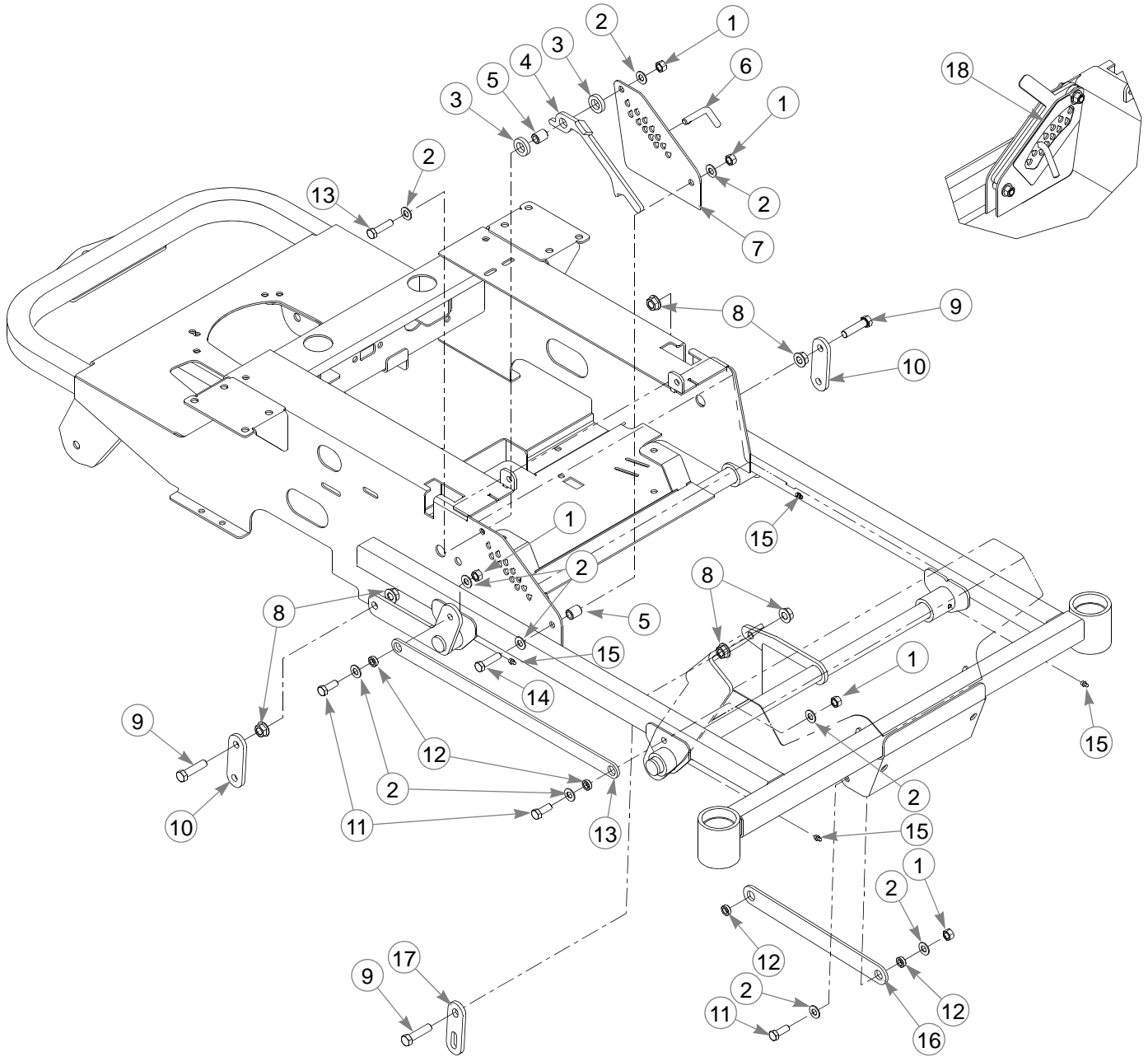


NOTES:

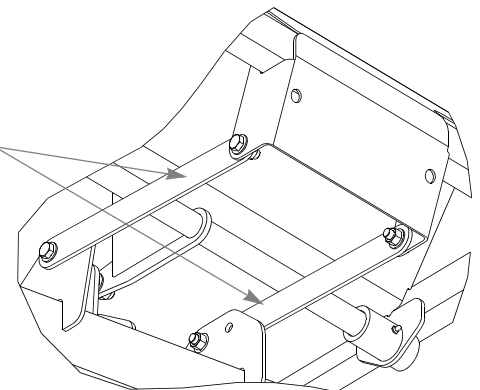
4. Spring length after tensioning new belt is measured from outside of hook to outside of hook.
5. Route belt as shown.

This page intentionally left blank.

Deck Lift



DECK PULLERS TO BE MOUNTED TO INBOARD SIDE ON MOWER, OUTBOARD SIDE ON DECK



Deck Lift

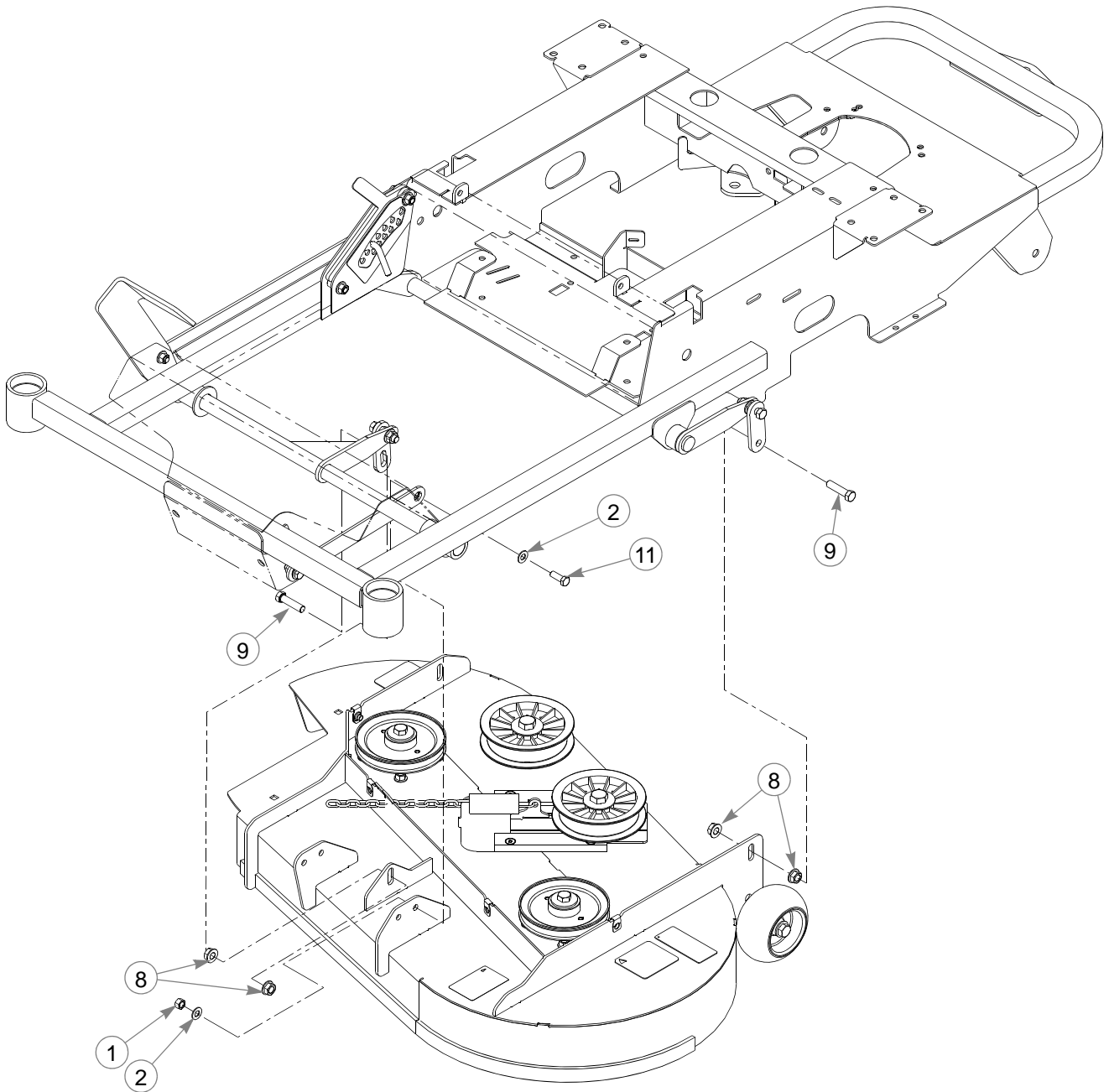
INDEX NO.	PART NO.	QTY.	DESCRIPTION
1	054502	8	NT .375-16 HX GRD 5 ZNY
2	767954	16	FW .406X .812 X.060 SAE
3	769257	2	FW .656X 1.250X.250 ZNY
4	110829	1	HANDLE, DECK HT LOCK
5	348862	2	STEERLEVER BUSHING
6	601963	1	PIN, DECK HEIGHT STOP
7	550216CE	1	DECK ADJUST PLATE LH
8	704643	12	NT .437-14 HX FLG ZN
9	055749	6	CS .437-14X1.750 HX G5
10	110929	2	DECK LIFT LINK, NON-SLOT
11	036244	6	CS .375-16X1.000 HX G5
12	601839	6	PIVOT SPACER BUSHING
13	110884	1	LIFT PEDAL LINK, SPORT
14	080655	2	CS .375-16X1.500 HX G5
15	015495	4	GREASE FITTING STRAIGHT
16	110879	2	PULLER STRAP, SPORT
17	110880	1	DECK LIFT LINK
18	601814CE	1	DECK HEIGHT DECAL

NOTES:

1. Apply grease to zerks.
2. Item 7 (Deck Adjustment Plate) includes Item 18 (Deck Height Decal).
3. See following page for deck mounting hardware.

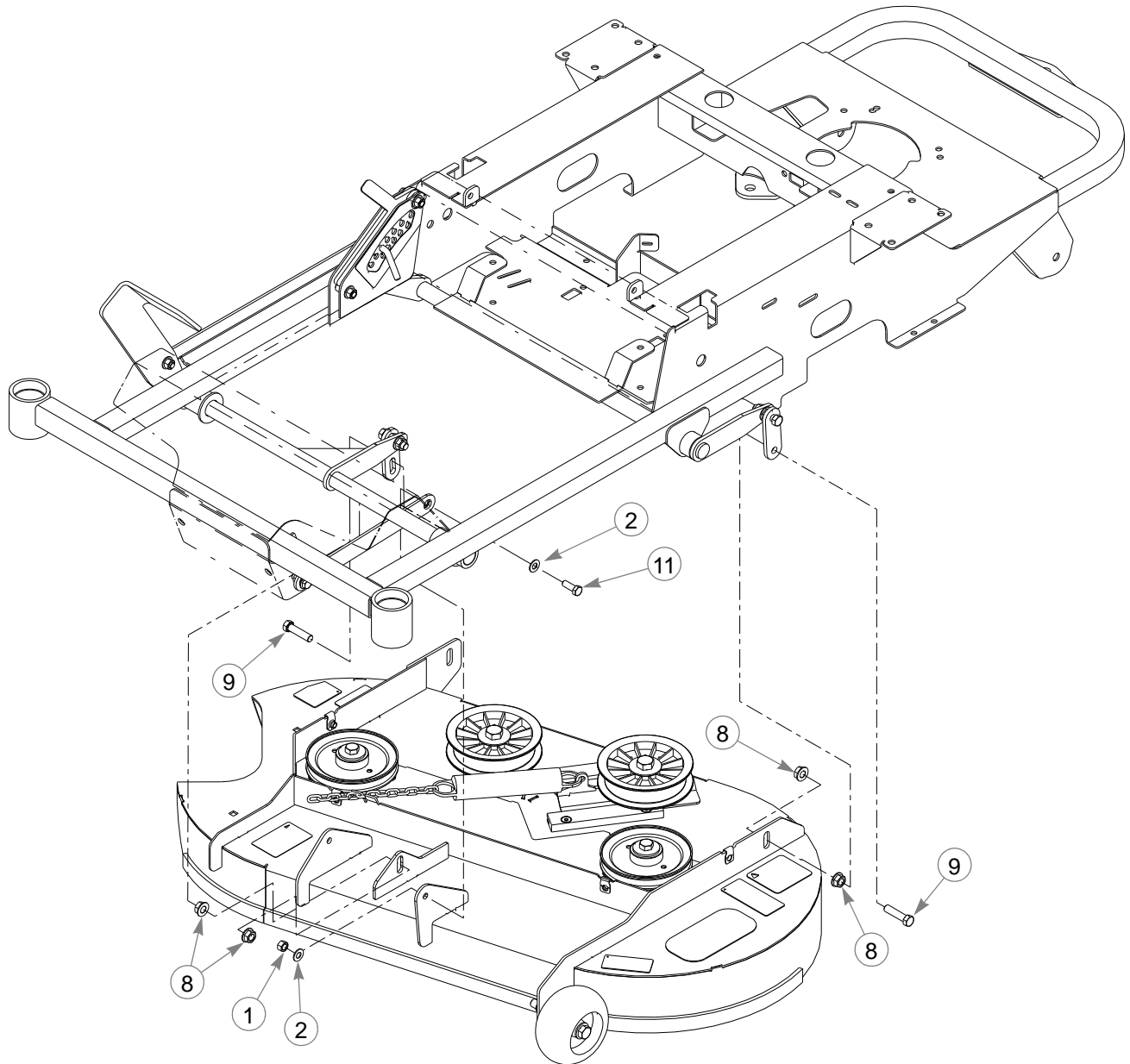
Deck Mounting Hardware

REAR SWEEP DECK



Deck Mounting Hardware

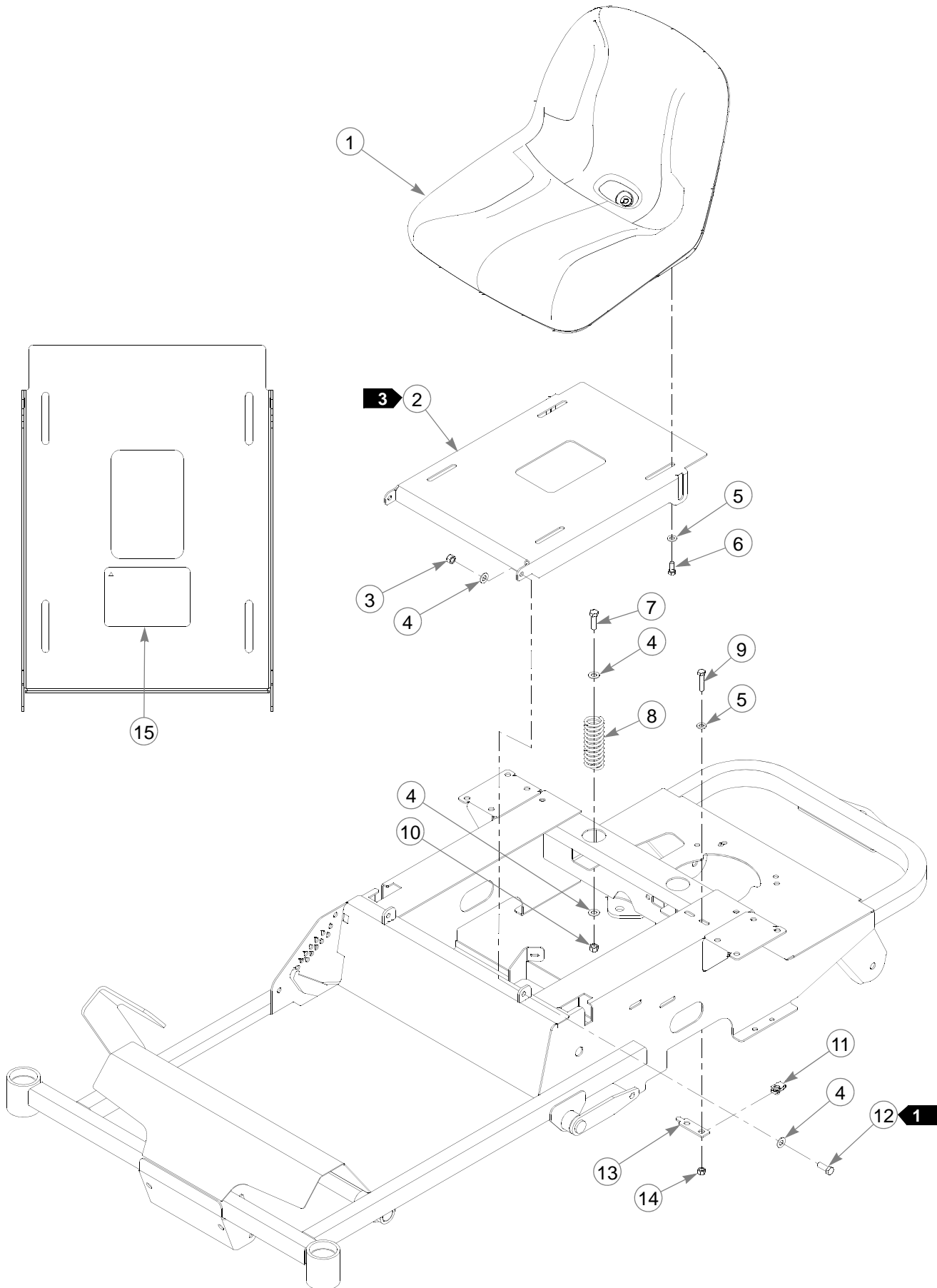
FORWARD SWEEP DECK



Section 8 Contents

Seat	8-2
------------	-----

Seat



Seat

INDEX NO.	PART NO.	QTY.	DESCRIPTION
1	601807	1	SEAT-SPORT
2	550217	1	SEATPAN, SPORT
3	086660	2	NT .375-16 HXZY NL
4	767954	8	FW .406X .812 X.060 SAE
5	768523	6	FW .343X.687X.051/.080H
6	034280	4	CS .312-18X .750 HX G5
7	052860	2	CS .375-16X1.250 HX G5
8	793851	2	SPRING,COMP 1.25X4.00X.
9	756270	2	CS .312-18X1.50 FLTHR G
10	054502	2	NT .375-16 HX GRD 5 ZNY
11	601069	2	CN .312-18X.200 MAX THK
12	036244	2	CS .375-16X1.000 HX G5
13	110876	1	CATCH, SPORT SEAT PAN
14	070557	2	NT .312-18 HX UNT ZN
15	601815	1	DECAL, BATTERY

NOTES:

1. Do not torque, Item 2 (Seat Pan) must pivot freely.
2. Available service parts for Michigan seat: 793315 (Seat Switch).
3. Item 2 includes (601815 Battery Decal).

Numerical Index

Part No.	Page No.	Part No.	Page No.	Part No.	Page No.
Index					
Part Numbers					
000323	5-3, 5-5	110007	3-9, 4-3	601619	7-9, 7-11, 7-13
000331	5-3, 5-5, 6-3, 6-5	110008	3-9, 4-3, 4-5	601624	7-5
005116	7-9, 7-11, 7-13	110009	3-11	601801	5-3, 5-5
015495	7-27	110042	3-3	601804	7-9, 7-11, 7-13
015818	5-3, 5-5	110063	2-3	601805	5-7
016972	3-5	110080	5-7	601806	7-15, 7-19, 7-23
017004	5-3, 5-5	110081	5-7	601807	8-3
017616	3-5	110089	3-9, 4-3	601812	2-3
023655	3-9, 3-11, 4-3, 4-5	110116	4-3	601813	2-3
024927	5-3, 5-5, 6-5	110370	3-9	601814CE	7-27
025395	7-15, 7-19, 7-23	110821	7-23	601815	8-3
028118	3-5	110829	7-27	601816	7-3, 7-7
029868	6-5	110840	7-23	601817	7-3, 7-7
029876	5-3	110841	7-23	601822	3-11
030817	5-3, 5-5	110846	7-15	601824	7-19
031997	4-3, 7-9, 7-11, 7-13	110876	8-3	601834	5-3, 5-5
034272	2-5, 3-3, 5-5	110880	7-27	601837	7-3, 7-5, 7-7
034280	5-7, 7-15, 7-19, 7-23, 8-3	110887	7-23	601839	7-27
		110891	7-15	601840	5-3, 5-5
		110892	7-15	601841	5-3, 5-5
036244	7-27, 8-3	110906	7-15	601843	7-15, 7-19, 7-23
036384	3-5, 7-11	110929	7-27	601892	7-3, 7-5, 7-7
038828	5-3	111067	7-15, 7-19, 7-23	601930	6-5
043067	3-3	111079	3-5	601941	3-3
044255	5-3, 5-5	111176	1-1	601963	7-27
045765	7-9, 7-11	111906	6-3	601967	2-3
045898	6-3	112187	7-19	601981	2-3
046821	7-9, 7-11, 7-13	112188	7-19	601982	5-3, 5-5, 6-5
048553	3-3, 3-11	112411	5-5	601983	3-5
052860	8-3	112429	7-19	601986	2-3
053199	7-9, 7-11, 7-13	112724	7-19	601987	2-3
054502	3-3, 3-9, 4-3, 7-9, 7-11, 7-13, 7-27, 8-3	259812	7-9, 7-11, 7-13	602025	3-5
		339689	4-3	602026	3-5
055749	7-27	348417	6-5	602041	2-3
055939	5-3, 5-5, 6-5	348862	7-27	602232	6-3
055947	5-3, 6-3	550011	7-3	602237	5-5
056036	3-3	550216CE	7-27	602243	7-3, 7-5
058776	5-3, 7-9, 7-11, 7-13	550217	8-3	602320	5-5
059832	6-3	550225	6-3	602322	6-3
063198	3-11	550592	7-5	602325	5-3
068478	1-1	600726	1-1, 7-15, 7-19	602369	5-3
068551	3-11	601053	6-3	602380	5-3
070557	8-3	601062	5-3, 5-5	602562	2-3, 7-15, 7-19, 7-23
080655	3-9, 4-3, 7-27	601069	7-3, 7-5, 7-7, 8-3	602583	1-1
086660	3-9, 3-11, 4-3, 4-5, 7-15, 7-19, 7-23, 8-3	601098	6-3	602591	7-15, 7-23
		601123	1-1, 7-23	704478	5-3, 5-5
104786	5-3, 5-5	601131	3-11	704643	7-27
108225	7-23	601390	3-3	704932	6-3
109754	7-7	601391	3-3	705178	3-9, 4-3
109770	7-9, 7-11, 7-13	601398	3-5	705954	7-9, 7-11, 7-13
110000	3-11	601425	3-7	710087	3-3
110001	3-11	601426	3-7	712257	6-3

Part No.	Page No.	Part No.	Page No.	Part No.	Page No.
712372	5-3, 5-5	781419CE	7-7	793778	7-9, 7-11
725796	3-11	781567	3-5, 7-9, 7-11, 7-13	793794	1-1, 7-15, 7-19
747303	1-1	781708	4-3, 7-9, 7-11, 7-13	793851	8-3
756270	8-3	781872	7-15, 7-19, 7-23	793885	5-5
763417	5-3, 5-5	782474	7-15, 7-19, 7-23	793976	7-7
765339	3-11	782573	2-3	794214	7-15, 7-19
767954	3-3, 3-9, 3-11, 4-3, 7-9, 7-11, 7-13, 7-15, 7-19, 7-23, 7-27, 8-3	784199	7-9, 7-11, 7-13	794370	1-1
767962	4-3, 7-9, 7-11, 7-13	784504	7-9, 7-11, 7-13	794446	7-9, 7-11, 7-13
768515	3-11, 5-3, 5-5, 6-3, 6-5	784827	3-5	794479CE	1-1
768523	3-3, 3-9, 3-11, 4-3, 5-3, 5-5, 5-7, 7-9, 7-11, 7-13, 7-15, 7-19, 7-23, 8-3	785030	6-3	794503	7-3, 7-5, 7-7
769133	1-1	785139	2-3	794644	6-5
769257	7-27	785220	2-3	794834CE	2-3
770867	3-9, 4-3	785295	5-7	795047	3-3
771428	5-3, 5-5, 6-5	785543	5-3, 5-5	796516	5-3
771634	1-1, 7-23	785808	6-3	796615	3-9, 4-3
776310	2-3	786384	6-3	796623	7-23
776476	6-3	788166	7-9, 7-11, 7-13	796672	5-5
779306	5-7	788232	3-3	797449	7-9, 7-11, 7-13
781211	3-11	788877	3-3	797514	3-5
781260	3-9	789776ce	2-3	798363	3-3
781302	7-9, 7-13	791251	5-3, 5-5	798371	3-3
		792689	7-13	798603	7-9, 7-11, 7-13
		792788	5-3, 5-5	808485	2-3
		793174	3-3	929570CE	1-1
		793315	8-3	929588CE	1-1
		793521	7-3, 7-5		
		793760	5-3, 5-5		